

CPST

Test Report

No. C171225020001

Date: Oct 29, 2017

Page 1 of 62

Sunrise Electronic Technology Co., Ltd

402 B building HanTian high-tech industry park, No1, Ailian industry park, Zhugushi road, Wulian, Longgang, Shenzhen, China 518110

Manufacturer: SHENZHEN JINGWEIXIAN TECHNOLOGY CO., LTD

Manufactured Add: 401 B building HanTian high-tech industry park, No1, Ailian industry park, Zhugushi road, Wulian, Longgang, Shenzhen, China 518110

The following samples were submitted and identified on behalf of the clients as

Sample Name: Cutting plotter
Model: SKYCUT C16, SKYCUT C24, SKYCUT C15, SKYCUT C30, SKYCUT C12
CPST Internal Reference No.: C171225020
Sample Received Date: Dec 25, 2017
Test Period: Dec 25, 2017 to Dec 29, 2017
Test Method: Please refer to next page(s)
Test Result: Please refer to next page(s)

CONCLUSION :

<u>TESTED SAMPLES</u>	<u>TEST ITEM</u>	<u>RESULT</u>
Cutting plotter	1. RoHS Directive 2011/65/EU Annex II amending Annex (EU)2015/863—Lead, Cadmium, Mercury, Hexavalent Chromium, PBBs and PBDEs Content	PASS



Signed for and on behalf of
Eurones Consumer Products Testing Service Co., Ltd

TESTED BY :

REVIEWED BY:

APPROVED BY:

Andy Wang

Sunshine Liu

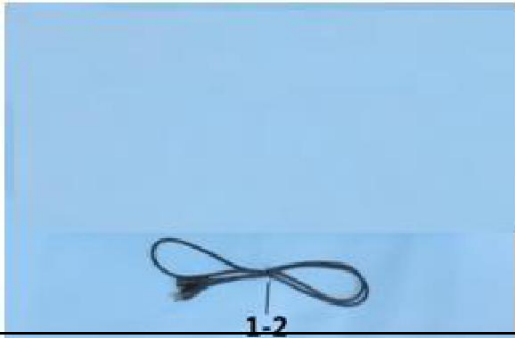
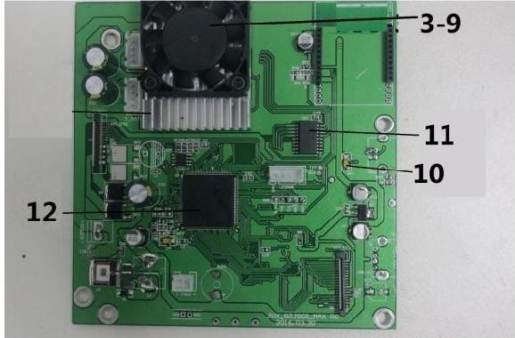
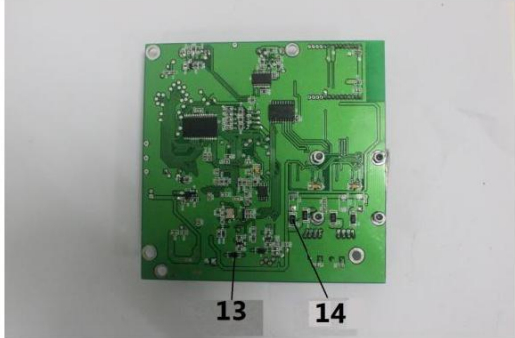
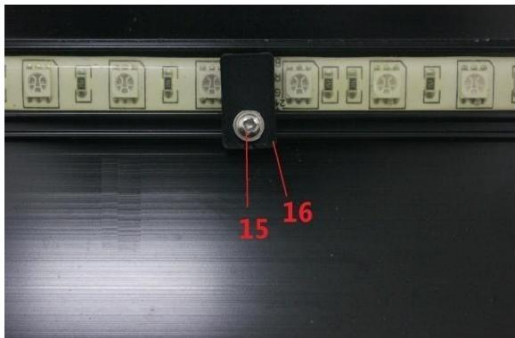
Will Pan

Wang Guang Yu, Andy
Project Leader

Liu Xiao Fang, Sunshine
Report Reviewer

Pan Jian Ding, Will
Technical Supervisor

This Test Report is issued by the Company subject to its General Conditions of Service printed overleaf or available on request and accessible at www.cpstlab.com. Attention is drawn to the limitations of liability, indemnification and jurisdictional issues defined therein. Unless otherwise stated the results shown in the test report refer only to the sample(s) tested. This test report cannot be reproduced, except in full, without prior written permission of the Company. Any unauthorized alteration, forgery or falsification of the content or appearance of this report is unlawful and offenders may be prosecuted to the fullest extent of the law.

Test No.	Item/Component Description(s)	Sample Photo	
1	Black soft plastic cable jacket(bundle)		
2	Silvery metal core of cable (bundle)		
3	Silvery metal screw w/ black coating (PCB,fan)		
4	Black magnet (PCB,fan)		
5	Silvery metal ring (PCB,fan)		
6	Silvery metal plate (PCB,fan)		
7	Silvery metal axle (PCB,fan)		
8	Silvery black metal spring (PCB,fan)		
9	Red enamelled wire (PCB,fan)		
10	Chip capacitor (PCB,C48)		
11	Chip IC (PCB,U10)		
12	Chip IC (PCB,U4)		
13	Chip diode (PCB,D3)		
14	Chip resistor (PCB,R3)		
15	Silvery metal screw w/ plate (renovate)		
16	Black plastic washer (renovate)		

This Test Report is issued by the Company subject to its General Conditions of Service printed overleaf or available on request and accessible at www.cpstlab.com. Attention is drawn to the limitations of liability, indemnification and jurisdictional issues defined therein. Unless otherwise stated the results shown in the test report refer only to the sample(s) tested. This test report cannot be reproduced, except in full, without prior written permission of the Company. Any unauthorized alteration, forgery or falsification of the content or appearance of this report is unlawful and offenders may be prosecuted to the fullest extent of the law.

Test No.	Item/Component Description(s)	Sample Photo
17	Transparent yellow soft plastic (renovate)	
18	Transparent brown adhesive tape (renovate)	
19	Brown FPC w/ white coating (renovate)	
20	Chip resistor (renovate)	
21	White w/ transparent LED (renovate)	
22	Silvery metal pin of LED (renovate)	
23	White plastic sheet	
24	Transparent double adhesive tape	
25	Yellow soft plastic washer	
26	Silvery metal screw	
27	Silvery metal screw	
28	Chip capacitor (PCB,C44)	
29	Silvery metal screw	
30	Silvery metal plate w/ black coating	
31	White FPC w/ blue printing	

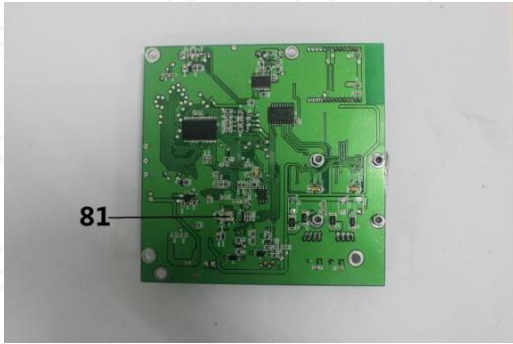

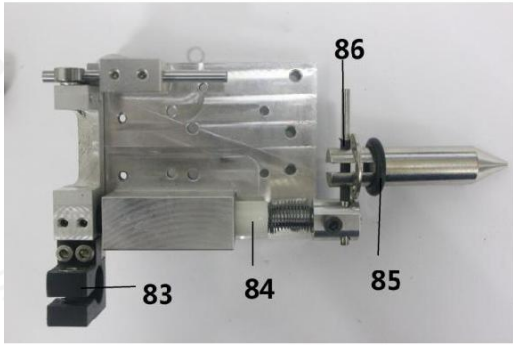
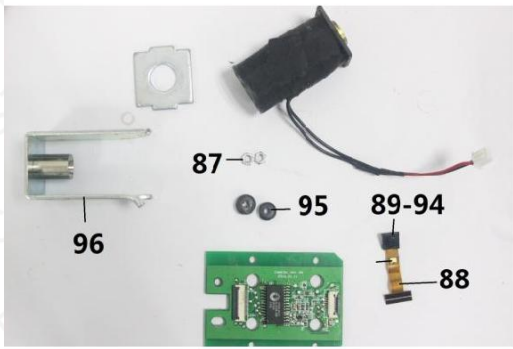
This Test Report is issued by the Company subject to its General Conditions of Service printed overleaf or available on request and accessible at www.cpstlab.com. Attention is drawn to the limitations of liability, indemnification and jurisdictional issues defined therein. Unless otherwise stated the results shown in the test report refer only to the sample(s) tested. This test report cannot be reproduced, except in full, without prior written permission of the Company. Any unauthorized alteration, forgery or falsification of the content or appearance of this report is unlawful and offenders may be prosecuted to the fullest extent of the law.

Test No.	Item/Component Description(s)	Sample Photo
32	Silvery metal clip	
33	Silvery metal screw (PCB)	
34	Transparent plastic glue	
35	White plastic (PCB,L1)	
36	Silvery metal pin (PCB,L1)	
37	White plastic plug (PCB,GND)	
38	Grey plastic (PCB,GND)	
39	Silvery metal pin (PCB,GND)	
40	Blue plastic case w/ white ceramic chip (PCB,R9)	
41	Brown plastic ring (PCB,R9)	
42	Copper metal screw (PCB,R9)	
43	Black plastic (PCB,MIN)	
44	Transparent plastic (PCB,MIN)	
45	Silvery metal pin (PCB,MIN)	
46	Chip IC (PCB,U1)	
47	Chip capacitor (PCB,C3)	
48	Chip audion (PCB,Q1)	
49	Chip resistor (PCB,R4)	
50	Chip capacitor (PCB,C1)	
51	Brown PCB W/ green coating w/ metal	
52	White plastic ring	
53	Silvery metal screw w/ plate	
54	Silvery metal knob	
55	White plastic case	

This Test Report is issued by the Company subject to its General Conditions of Service printed overleaf or available on request and accessible at www.cpstlab.com. Attention is drawn to the limitations of liability, indemnification and jurisdictional issues defined therein. Unless otherwise stated the results shown in the test report refer only to the sample(s) tested. This test report cannot be reproduced, except in full, without prior written permission of the Company. Any unauthorized alteration, forgery or falsification of the content or appearance of this report is unlawful and offenders may be prosecuted to the fullest extent of the law.

Test No.	Item/Component Description(s)	Sample Photo
56	Silvery metal screw	
57	Silvery metal spring	
58	Silvery metal cap	
59	Silvery metallic gasket	
60	Silvery metal outer ring	
61	Silvery metal inner ring	
62	Silvery metal fixing ring	
63	Silvery metal bead	
64	White plastic idler wheel	
65	Brown plastic	
66	Silvery grey metal screw	
67	Silvery metal screw	
68	Silvery metal screw	
69	Silvery metal screw w/ black coating	
70	Silvery metal connecting plate	
71	Black adhesive tape	
72	Silvery metal holder	
73	Coppery metal rod	
74	Silvery black metal spring	
75	Silvery metal rod	
76	Silvery metal screw	
77	Silvery metal screw	
78	Silvery metal screw cap	
79	Silvery metal plate w/	
80	Coppery metal screw	

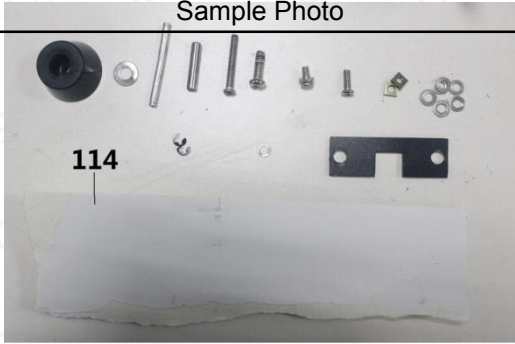
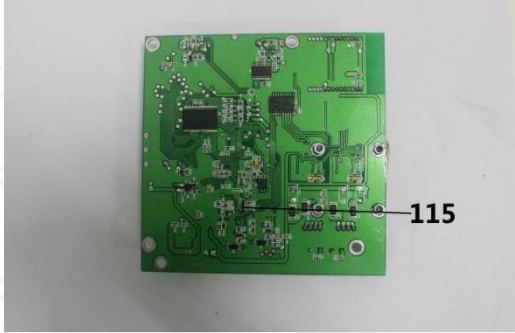
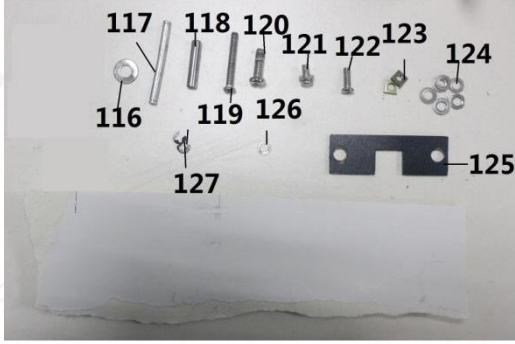
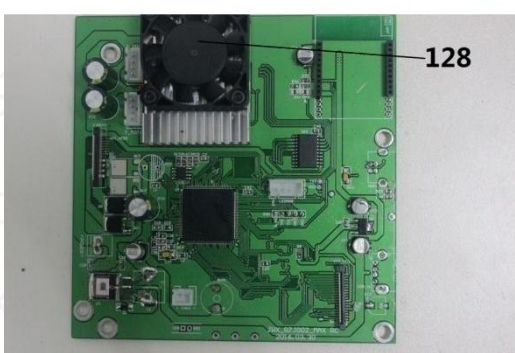
This Test Report is issued by the Company subject to its General Conditions of Service printed overleaf or available on request and accessible at www.cpstlab.com. Attention is drawn to the limitations of liability, indemnification and jurisdictional issues defined therein. Unless otherwise stated the results shown in the test report refer only to the sample(s) tested. This test report cannot be reproduced, except in full, without prior written permission of the Company. Any unauthorized alteration, forgery or falsification of the content or appearance of this report is unlawful and offenders may be prosecuted to the fullest extent of the law.

Test No.	Item/Component Description(s)	Sample Photo
81	Chip crystal oscillator (PCB,Y2)	
82	Silvery metal ring	
83	Black plastic holder	
84	White plastic ring	
85	Black soft plastic gasket	
86	Black soft plastic tube	
87	Silvery metal screw cap	
88	Brown FPC	
89	Silvery metal plate	
90	Black plastic	
91	Transparent plastic	
92	Yellow plastic LED	
93	Transparent dream color glass	
94	Dream color green glass	
95	Black soft plastic washer	
96	Silvery metal holder	

This Test Report is issued by the Company subject to its General Conditions of Service printed overleaf or available on request and accessible at www.cpstlab.com. Attention is drawn to the limitations of liability, indemnification and jurisdictional issues defined therein. Unless otherwise stated the results shown in the test report refer only to the sample(s) tested. This test report cannot be reproduced, except in full, without prior written permission of the Company. Any unauthorized alteration, forgery or falsification of the content or appearance of this report is unlawful and offenders may be prosecuted to the fullest extent of the law.

Test No.	Item/Component Description(s)	Sample Photo
97	Black fabric w/ white adhesive tape backing	
98	Blue adhesive tape	
99	Coppery metal tube	
100	Black plastic tube	
101	Black soft plastic cable jacket (connecting wire)	
102	Red soft plastic cable jacket (connecting wire)	
103	Silvery metal core of cable (connecting wire)	
104	Coppery metal coil	
105	White plastic plug	
106	Silvery metal (inner plug)	
107	Chip capacitor (PCB,C16)	
108	Silvery metal plate (PCB,U4)	
109	Chip IC (PCB,U6)	
110	Chip IC (PCB,U1)	
111	Bright silvery metal rod	
112	Coppery metal spring	
113	Black plastic handle,holder	

This Test Report is issued by the Company subject to its General Conditions of Service printed overleaf or available on request and accessible at www.cpstlab.com. Attention is drawn to the limitations of liability, indemnification and jurisdictional issues defined therein. Unless otherwise stated the results shown in the test report refer only to the sample(s) tested. This test report cannot be reproduced, except in full, without prior written permission of the Company. Any unauthorized alteration, forgery or falsification of the content or appearance of this report is unlawful and offenders may be prosecuted to the fullest extent of the law.

Test No.	Item/Component Description(s)	Sample Photo
114	White paper w/ white foam	
115	Chip crystal oscillator (PCB,Y1)	
116	Silvery metal ring (inner foot pad)	
117	Silvery metal rod	
118	Silvery black metal rod	
119	Silvery metal screw	
120	Silvery metal screw	
121	Silvery metal screw w/ plate	
122	Silvery metal screw	
123	Coppery metal plate	
124	Silvery metal washer	
125	Silvery metal board w/ black coating	
126	Silvery metal washer	
127	Silvery black metal washer	
128	Black plastic (PCB,fan)	

This Test Report is issued by the Company subject to its General Conditions of Service printed overleaf or available on request and accessible at www.cpstlab.com. Attention is drawn to the limitations of liability, indemnification and jurisdictional issues defined therein. Unless otherwise stated the results shown in the test report refer only to the sample(s) tested. This test report cannot be reproduced, except in full, without prior written permission of the Company. Any unauthorized alteration, forgery or falsification of the content or appearance of this report is unlawful and offenders may be prosecuted to the fullest extent of the law.

Test No.	Item/Component Description(s)	Sample Photo
129	Silvery metal rod	
130	Silvery w/ silvery black metal tube	
131	Bright silvery metal ring	
132	Silvery metal outer ring	
133	Silvery metal inner ring	
134	Silvery metal fixing ring	
135	Silvery metal bead holder	
136	Silvery metal bead	
137	Silvery metal screw w/ black coating	
138	Black soft plastic cable jacket	
139	Silvery metal core of cable	
140	Transparent adhesive tape	
141	Golden metal connector	
142	Black soft plastic gasket	
143	Silvery metal screw w/ blacking coating	
144	Silvery metal washer	
145	White LED (screen)	
146	Silvery metal plate	
147	Black adhesive tape	
148	Transparent glass screen w/ black printing	
149	Tawny glass screen	
150	Transparent soft plastic film	
151	Transparent plastic screen	
152	White plastic screen	
153	Transparent white plastic screen	
154	White w/ black adhesive tape	
155	Silvery plastic screen	
156	White plastic screen frame	
157	Tawny plastic screen	
158	Chip diode (PCB,D1)	
159	Black magnet ring (PCB,L1)	
160	Coppery metal coil (PCB,L1)	
161	Chip capacitor (PCB,C9)	


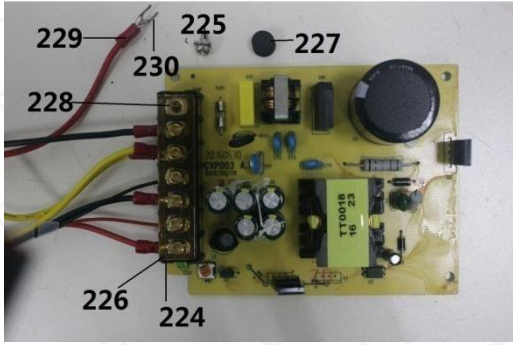
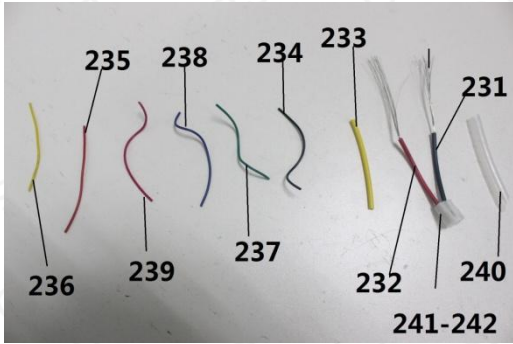
This Test Report is issued by the Company subject to its General Conditions of Service printed overleaf or available on request and accessible at www.cpstlab.com. Attention is drawn to the limitations of liability, indemnification and jurisdictional issues defined therein. Unless otherwise stated the results shown in the test report refer only to the sample(s) tested. This test report cannot be reproduced, except in full, without prior written permission of the Company. Any unauthorized alteration, forgery or falsification of the content or appearance of this report is unlawful and offenders may be prosecuted to the fullest extent of the law.

Test No.	Item/Component Description(s)	Sample Photo	
162	Silvery metal block		
163	Silvery metal screw (motor)		
164	Silvery metal screw (motor)		
165	Black plastic washer (motor)		
166	Silvery metal stator (motor)		
167	Silvery metal case (motor)		
168	Silvery metal plate w/ black coating (motor)		
169	Silvery paster w/ black printing (motor)		
170	Silvery metal ring (motor)		
171	Silvery metal ring w/ black coating (motor)		
172	Coppery metal coil (motor)		
173	White plastic frame (motor)		
174	Silvery metal outer ring (motor)		
175	Silvery metal inner ring (motor)		
176	Silvery metal fixing ring (motor)		
177	Silvery metal bead (motor)		
178	Brown plastic slot of bead (motor)		
179	Silvery metal screw w/ black coating (motor)		
180	Silvery metal runner (motor)		
181	Black plastic runner (motor)		
182	Yellow plastic ring (motor)		
183	Black plastic ring (motor)		
184	Silvery metal plate (motor)		
185	Silvery magnet (motor)		
186	Silvery metal axle (motor)		
187	White pearl wool (exhaust fan)		
188	Silvery metal plate w/ black coating (exhaust fan)		
189	Coppery metal plate (exhaust fan)		
190	Silvery metal screw cap (exhaust fan)		
191	Black plastic impeller (exhaust fan)		

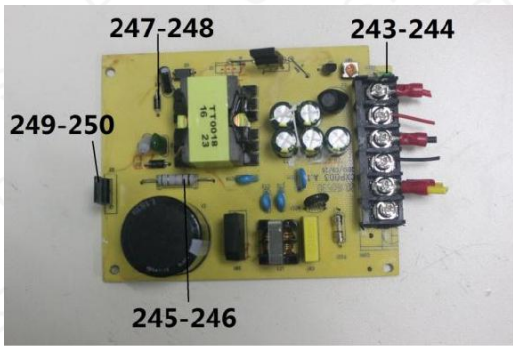

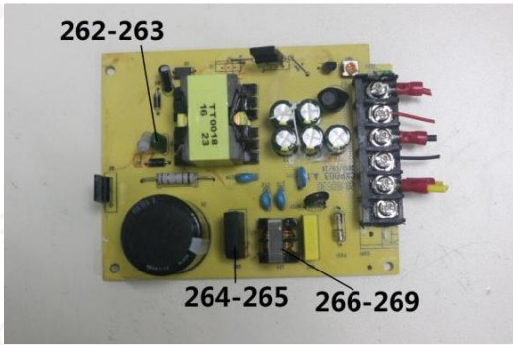
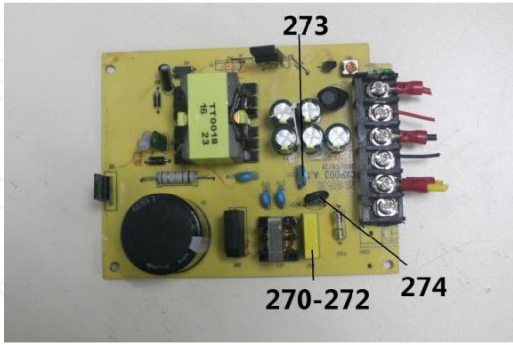
This Test Report is issued by the Company subject to its General Conditions of Service printed overleaf or available on request and accessible at www.cpstlab.com. Attention is drawn to the limitations of liability, indemnification and jurisdictional issues defined therein. Unless otherwise stated the results shown in the test report refer only to the sample(s) tested. This test report cannot be reproduced, except in full, without prior written permission of the Company. Any unauthorized alteration, forgery or falsification of the content or appearance of this report is unlawful and offenders may be prosecuted to the fullest extent of the law.

Test No.	Item/Component Description(s)	Sample Photo	
192	White plastic tube (exhaust fan)		
193	Black soft plastic gasket (exhaust fan)		
194	Silvery metal case (exhaust fan,motor)		
195	Black magnet (exhaust fan,motor)		
196	Silvery paster w/ black,green,red printing (exhaust fan)		
197	Silvery metal plate (exhaust fan,motor)		
198	Coppery metal coil (exhaust fan,motor)		
199	Red enamelled wire (exhaust fan,motor)		
200	Silvery metal ring (exhaust fan,motor)		
201	Silvery metal axle (exhaust fan,motor)		
202	White plastic ring (exhaust fan,motor)		
203	Silvery black metal spring (exhaust fan,motor)		
204	Silvery metal mesh cover		
205	Silvery metal stator		
206	Silvery metal screw slot		
207	Red plastic glue		
208	Yellow paster w/ black printing		
209	Milk white plastic sheet		
210	Black plastic w/ grey printing (switch)		
211	Transparent soft plastic cover (switch)		
212	Blue soft plastic cover (switch)		
213	Black soft plastic cover (switch)		
214	Silvery metal plug (switch)		
215	Silvery metal connecting plate (switch)		
216	Silvery metal plate (switch)		
217	Silvery metal plate (switch)		
218	Silvery metal contact (switch)		
219	Silvery black metal spring (switch)		
220	Silvery metal cap (switch)		


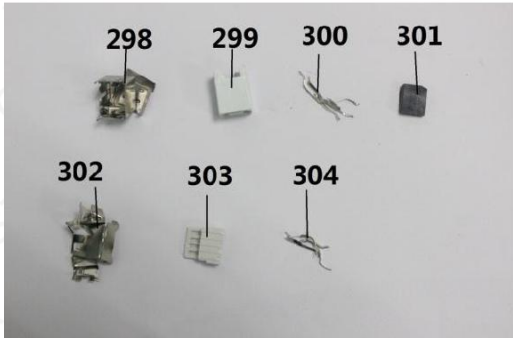
This Test Report is issued by the Company subject to its General Conditions of Service printed overleaf or available on request and accessible at www.cpstlab.com. Attention is drawn to the limitations of liability, indemnification and jurisdictional issues defined therein. Unless otherwise stated the results shown in the test report refer only to the sample(s) tested. This test report cannot be reproduced, except in full, without prior written permission of the Company. Any unauthorized alteration, forgery or falsification of the content or appearance of this report is unlawful and offenders may be prosecuted to the fullest extent of the law.

Test No.	Item/Component Description(s)	Sample Photo	
221	Silvery metal pin (charging slot)		
222	Silvery metal connecting plate (charging slot)		
223	Black plastic (charging slot)		
224	Black plastic (PCB, CON1)		
225	Silvery metal screw w/ plate (PCB, CON1)		
226	Transparent brown plastic cover (PCB, CON1)		
227	Black sponge (PCB)		
228	Silvery metal pin (PCB, CON1)		
229	Red plastic tube (PCB, CON1)		
230	Silvery metal connecting lug (PCB, CON1)		
231	Black soft plastic cable jacket (thick connecting wire)		
232	Red soft plastic cable jacket (thick connecting wire)		
233	Yellow soft plastic cable jacket (thick connecting wire)		
234	Black soft plastic cable jacket (thin connecting wire)		
235	Red soft plastic cable jacket (thin connecting wire)		
236	Yellow soft plastic cable jacket (thin connecting wire)		
237	Green soft plastic cable jacket (thin connecting wire)		
238	Blue soft plastic cable jacket (thin connecting wire)		
239	Peach soft plastic cable jacket (thin connecting wire)		
240	Transparent soft plastic cable jacket (thin connecting wire)		
241	White soft plastic cable jacket (thin connecting wire)		
242	Silvery metal (inner plug)		

This Test Report is issued by the Company subject to its General Conditions of Service printed overleaf or available on request and accessible at www.cpstlab.com. Attention is drawn to the limitations of liability, indemnification and jurisdictional issues defined therein. Unless otherwise stated the results shown in the test report refer only to the sample(s) tested. This test report cannot be reproduced, except in full, without prior written permission of the Company. Any unauthorized alteration, forgery or falsification of the content or appearance of this report is unlawful and offenders may be prosecuted to the fullest extent of the law.

Test No.	Item/Component Description(s)	Sample Photo
243	Green plastic (PCB,LED1)	
244	Silvery metal pin (PCB,LED1)	
245	Color-ring resistor (PCB,R2)	
246	Silvery metal pin (PCB,R2)	
247	Black diode (PCB,D2)	
248	Silvery metal pin (PCB,D2)	
249	Black audion (PCB,Q2)	
250	Coppery metal plate (PCB,Q2)	
251	Silvery metal case (PCB,C1)	
252	Silvery metal pin (PCB,C1)	
253	Silvery metal rivet (PCB,C1)	
254	Silvery metal plate (PCB,C1)	
255	Silvery grey plate (PCB,C1)	
256	Black plastic w/ grey printing (PCB,C1)	
257	Black plastic cap (PCB,C1)	
258	Black plastic sheet (PCB,C1)	
259	Brown resin board (PCB,C1)	
260	Transparent adhesive tape (PCB,C1)	
261	Beige paper (PCB,C1)	
262	Green plastic (PCB,C2)	
263	Silvery aluminum foil (PCB,C2)	
264	Black ceramic chip (PCB,DB1)	
265	Coppery metal pin (PCB,DB1)	
266	Black plastic (PCB,LF1)	
267	Black magnetic core (PCB,LF1)	
268	Silvery metal plate (PCB,LF1)	
269	Coppery metal coil (PCB,LF1)	
270	Black plastic case (PCB,CX1)	
271	Yellow plastic (PCB,CX1)	
272	Silvery aluminum foil (PCB,CX1)	
273	Blue capacitor (PCB,CY1)	
274	Black ceramic chip (PCB,NTC1)	

This Test Report is issued by the Company subject to its General Conditions of Service printed overleaf or available on request and accessible at www.cpstlab.com. Attention is drawn to the limitations of liability, indemnification and jurisdictional issues defined therein. Unless otherwise stated the results shown in the test report refer only to the sample(s) tested. This test report cannot be reproduced, except in full, without prior written permission of the Company. Any unauthorized alteration, forgery or falsification of the content or appearance of this report is unlawful and offenders may be prosecuted to the fullest extent of the law.

Test No.	Item/Component Description(s)	Sample Photo
275	Silvery metal cap (PCB,FUS1)	
276	Transparent glass (PCB,FUS1)	
277	Black plastic (PCB,RW1)	
278	Orange plastic (PCB,RW1)	
279	Coppery metal plate (PCB,RW1)	
280	Silvery metal case (PCB,RW1)	
281	Black soft plastic cover (PCB,L2)	
282	Black magnetic core (PCB,L2)	
283	Coppery metal coil (PCB,L2)	
284	Silvery metal case (PCB,C9)	
285	Silvery metal pin (PCB,C9)	
286	Silvery metal plate (PCB,C9)	
287	Silvery grey metal plate (PCB,C9)	
288	Green plastic w/ golden printing (PCB,C9)	
289	Black plastic cap (PCB,C9)	
290	Beige paper (PCB,C9)	
291	Black plastic (PCB,T1)	
292	Black magnetic core(PCB,T1)	
293	Coppery metal coil(PCB,T1)	
294	Yellow adhesive tape(PCB,T1)	
295	Transparent adhesive tape / black printing(PCB,T1)	
296	Transparent plastic tube(PCB,T)	
297	Brown PCB w/ green,yellow coating w/ metal	
298	Silvery metal case (PCB,USB1)	
299	Light grey plastic (PCB,USB1)	
300	Coppery metal pin (PCB,USB1)	
301	Black ceramic chip (PCB,U3)	
302	Silvery metal case (PCB,USB_H1)	
303	White plastic (PCB,USB_H1)	
304	Coppery metal pin (PCB,USB_H1)	

This Test Report is issued by the Company subject to its General Conditions of Service printed overleaf or available on request and accessible at www.cpstlab.com. Attention is drawn to the limitations of liability, indemnification and jurisdictional issues defined therein. Unless otherwise stated the results shown in the test report refer only to the sample(s) tested. This test report cannot be reproduced, except in full, without prior written permission of the Company. Any unauthorized alteration, forgery or falsification of the content or appearance of this report is unlawful and offenders may be prosecuted to the fullest extent of the law.

Test No.	Item/Component Description(s)	Sample Photo	
305	White plastic socket (PCB)		
306	Silvery metal pin (PCB,socket)		
307	Black plastic case (PCB,BUZ1)		
308	Black plastic glue (PCB,BUZ1)		
309	Silvery metal plate (PCB,BUZ1)		
310	Silvery metal plate w/ blue printing (PCB,BUZ1)		
311	Black magnet (PCB,BUZ1)		
312	Blue enamelled wire (PCB,BUZ1)		
313	Coppery metal coil (PCB,BUZ1)		
314	Black plastic (PCB,SWD)		
315	Coppery metal pin (PCB,SWD)		
316	Silvery metal case w/ black printing (PCB,C3)		
317	Black plastic base (PCB,CE3)		
318	Black plastic cap (PCB,CE3)		
319	Silvery grey metal plate (PCB,CE3)		
320	Beige paper (PCB,CE3)		
321	Silvery metal pin (PCB,CE3)		
322	Black magnetic core (PCB,L1)		
323	Coppery metal coil (PCB,L1)		
324	Silvery metal cover (PCB)		
325	White paster w/ black printing (PCB)		
326	Grey soft plastic washer (PCB)		
327	Chip IC (PCB)		
328	Brown PCB w/ blue coating w/ metal		
329	Silvery radiator (PCB)		

This Test Report is issued by the Company subject to its General Conditions of Service printed overleaf or available on request and accessible at www.cpstlab.com. Attention is drawn to the limitations of liability, indemnification and jurisdictional issues defined therein. Unless otherwise stated the results shown in the test report refer only to the sample(s) tested. This test report cannot be reproduced, except in full, without prior written permission of the Company. Any unauthorized alteration, forgery or falsification of the content or appearance of this report is unlawful and offenders may be prosecuted to the fullest extent of the law.

1. Test Results:

No.	Restricted substances	Results of EDXRF(1)	Results of Chemical Testing(2) (mg/kg)	Remark(3)	Conclusion
1	Cd	X	Cd : 9 Pb: 438	Non comment	Pass
	Pb	X			
	Hg	BL			
	Cr	BL			
	Br	BL			
2	Cd	BL	Cr(VI): Negative	Non comment	Pass
	Pb	BL			
	Hg	BL			
	Cr	X			
	Br	NA			
3	Cd	BL	Cr(VI): Negative	Non comment	Pass
	Pb	BL			
	Hg	BL			
	Cr	X			
	Br	NA			
4	Cd	BL	Not Tested	Non comment	Pass
	Pb	BL			
	Hg	BL			
	Cr	BL			
	Br	NA			
5	Cd	BL	Cr(VI): Negative	Non comment	Pass
	Pb	BL			
	Hg	BL			
	Cr	X			
	Br	NA			
6	Cd	BL	Cr(VI): Negative	Non comment	Pass
	Pb	BL			
	Hg	BL			
	Cr	X			
	Br	NA			
7	Cd	BL	Cr(VI): Negative	Non comment	Pass
	Pb	BL			
	Hg	BL			
	Cr	X			
	Br	NA			

This Test Report is issued by the Company subject to its General Conditions of Service printed overleaf or available on request and accessible at www.cpstlab.com. Attention is drawn to the limitations of liability, indemnification and jurisdictional issues defined therein. Unless otherwise stated the results shown in the test report refer only to the sample(s) tested. This test report cannot be reproduced, except in full, without prior written permission of the Company. Any unauthorized alteration, forgery or falsification of the content or appearance of this report is unlawful and offenders may be prosecuted to the fullest extent of the law.



8	Cd	BL	Cr(VI): Negative	Non comment	Pass
	Pb	BL			
	Hg	BL			
	Cr	X			
	Br	NA			
9	Cd	BL	Cr(VI): Negative	Non comment	Pass
	Pb	BL			
	Hg	BL			
	Cr	X			
	Br	NA			
10	Cd	BL	Not Tested	Non comment	Pass
	Pb	BL			
	Hg	BL			
	Cr	BL			
	Br	BL			
11	Cd	BL	PBBs: N.D. PBDEs: N.D.	Non comment	Pass
	Pb	BL			
	Hg	BL			
	Cr	BL			
	Br	X			
12	Cd	BL	Not Tested	Non comment	Pass
	Pb	BL			
	Hg	BL			
	Cr	BL			
	Br	BL			
13	Cd	BL	PBBs: N.D. PBDEs: N.D.	Non comment	Pass
	Pb	BL			
	Hg	BL			
	Cr	BL			
	Br	X			
14	Cd	BL	Not Tested	Non comment	Pass
	Pb	BL			
	Hg	BL			
	Cr	BL			
	Br	BL			

This Test Report is issued by the Company subject to its General Conditions of Service printed overleaf or available on request and accessible at www.cpstlab.com. Attention is drawn to the limitations of liability, indemnification and jurisdictional issues defined therein. Unless otherwise stated the results shown in the test report refer only to the sample(s) tested. This test report cannot be reproduced, except in full, without prior written permission of the Company. Any unauthorized alteration, forgery or falsification of the content or appearance of this report is unlawful and offenders may be prosecuted to the fullest extent of the law.

15	Cd	BL	Not Tested	Non comment	Pass
	Pb	BL			
	Hg	BL			
	Cr	BL			
	Br	NA			
16	Cd	BL	Not Tested	Non comment	Pass
	Pb	BL			
	Hg	BL			
	Cr	BL			
	Br	BL			
17	Cd	BL	Hg: 227	Non comment	Pass
	Pb	BL			
	Hg	X			
	Cr	BL			
	Br	BL			
18	Cd	BL	Not Tested	Non comment	Pass
	Pb	BL			
	Hg	BL			
	Cr	BL			
	Br	BL			
19	Cd	BL	PBBs: N.D. PBDEs: N.D.	Non comment	Pass
	Pb	BL			
	Hg	BL			
	Cr	BL			
	Br	X			
20	Cd	BL	Not Tested	Non comment	Pass
	Pb	BL			
	Hg	BL			
	Cr	BL			
	Br	BL			
21	Cd	BL	Not Tested	Non comment	Pass
	Pb	BL			
	Hg	BL			
	Cr	BL			
	Br	BL			

This Test Report is issued by the Company subject to its General Conditions of Service printed overleaf or available on request and accessible at www.cpstlab.com. Attention is drawn to the limitations of liability, indemnification and jurisdictional issues defined therein. Unless otherwise stated the results shown in the test report refer only to the sample(s) tested. This test report cannot be reproduced, except in full, without prior written permission of the Company. Any unauthorized alteration, forgery or falsification of the content or appearance of this report is unlawful and offenders may be prosecuted to the fullest extent of the law.



22	Cd	BL	Not Tested	Non comment	Pass
	Pb	BL			
	Hg	BL			
	Cr	BL			
	Br	NA			
23	Cd	BL	Not Tested	Non comment	Pass
	Pb	BL			
	Hg	BL			
	Cr	BL			
	Br	BL			
24	Cd	BL	Not Tested	Non comment	Pass
	Pb	BL			
	Hg	BL			
	Cr	BL			
	Br	BL			
25	Cd	BL	Not Tested	Non comment	Pass
	Pb	BL			
	Hg	BL			
	Cr	BL			
	Br	BL			
26	Cd	BL	Cr(VI): Negative	Non comment	Pass
	Pb	BL			
	Hg	BL			
	Cr	X			
	Br	NA			
27	Cd	BL	Cr(VI): Negative	Non comment	Pass
	Pb	BL			
	Hg	BL			
	Cr	X			
	Br	NA			
28	Cd	BL	Not Tested	Non comment	Pass
	Pb	BL			
	Hg	BL			
	Cr	BL			
	Br	BL			

This Test Report is issued by the Company subject to its General Conditions of Service printed overleaf or available on request and accessible at www.cpstlab.com. Attention is drawn to the limitations of liability, indemnification and jurisdictional issues defined therein. Unless otherwise stated the results shown in the test report refer only to the sample(s) tested. This test report cannot be reproduced, except in full, without prior written permission of the Company. Any unauthorized alteration, forgery or falsification of the content or appearance of this report is unlawful and offenders may be prosecuted to the fullest extent of the law.

29	Cd	BL	Cr(VI): Negative	Non comment	Pass
	Pb	BL			
	Hg	BL			
	Cr	X			
	Br	NA			
30	Cd	BL	Not Tested	Non comment	Pass
	Pb	BL			
	Hg	BL			
	Cr	BL			
	Br	NA			
31	Cd	BL	PBBs: N.D. PBDEs: N.D.	Non comment	Pass
	Pb	BL			
	Hg	BL			
	Cr	BL			
	Br	X			
32	Cd	BL	Cr(VI): Negative	Non comment	Pass
	Pb	BL			
	Hg	BL			
	Cr	X			
	Br	NA			
33	Cd	BL	Cr(VI): Negative	Non comment	Pass
	Pb	BL			
	Hg	BL			
	Cr	X			
	Br	NA			
34	Cd	BL	Not Tested	Non comment	Pass
	Pb	BL			
	Hg	BL			
	Cr	BL			
	Br	BL			
35	Cd	BL	Not Tested	Non comment	Pass
	Pb	BL			
	Hg	BL			
	Cr	BL			
	Br	BL			

This Test Report is issued by the Company subject to its General Conditions of Service printed overleaf or available on request and accessible at www.cpstlab.com. Attention is drawn to the limitations of liability, indemnification and jurisdictional issues defined therein. Unless otherwise stated the results shown in the test report refer only to the sample(s) tested. This test report cannot be reproduced, except in full, without prior written permission of the Company. Any unauthorized alteration, forgery or falsification of the content or appearance of this report is unlawful and offenders may be prosecuted to the fullest extent of the law.



36	Cd	BL	Not Tested	Non comment	Pass
	Pb	BL			
	Hg	BL			
	Cr	BL			
	Br	NA			
37	Cd	BL	Not Tested	Non comment	Pass
	Pb	BL			
	Hg	BL			
	Cr	BL			
	Br	BL			
38	Cd	BL	Not Tested	Non comment	Pass
	Pb	BL			
	Hg	BL			
	Cr	BL			
	Br	BL			
39	Cd	BL	Not Tested	Non comment	Pass
	Pb	BL			
	Hg	BL			
	Cr	BL			
	Br	NA			
40	Cd	BL	Not Tested	Non comment	Pass
	Pb	BL			
	Hg	BL			
	Cr	BL			
	Br	BL			
41	Cd	BL	Not Tested	Non comment	Pass
	Pb	BL			
	Hg	BL			
	Cr	BL			
	Br	BL			
42*	Cd	X	Cd: 10 Pb: 26230	Non comment	Pass
	Pb	X			
	Hg	BL			
	Cr	BL			
	Br	NA			

This Test Report is issued by the Company subject to its General Conditions of Service printed overleaf or available on request and accessible at www.cpstlab.com. Attention is drawn to the limitations of liability, indemnification and jurisdictional issues defined therein. Unless otherwise stated the results shown in the test report refer only to the sample(s) tested. This test report cannot be reproduced, except in full, without prior written permission of the Company. Any unauthorized alteration, forgery or falsification of the content or appearance of this report is unlawful and offenders may be prosecuted to the fullest extent of the law.

43	Cd	BL	PBBs: N.D. PBDEs: N.D.	Non comment	Pass
	Pb	BL			
	Hg	BL			
	Cr	BL			
	Br	X			
44	Cd	BL	Not Tested	Non comment	Pass
	Pb	BL			
	Hg	BL			
	Cr	BL			
	Br	BL			
45	Cd	BL	Not Tested	Non comment	Pass
	Pb	BL			
	Hg	BL			
	Cr	BL			
	Br	BL			
46	Cd	BL	Not Tested	Non comment	Pass
	Pb	BL			
	Hg	BL			
	Cr	BL			
	Br	BL			
47	Cd	BL	Not Tested	Non comment	Pass
	Pb	BL			
	Hg	BL			
	Cr	BL			
	Br	BL			
48	Cd	BL	PBBs: N.D. PBDEs: N.D.	Non comment	Pass
	Pb	BL			
	Hg	BL			
	Cr	BL			
	Br	X			
49	Cd	BL	Not Tested	Non comment	Pass
	Pb	BL			
	Hg	BL			
	Cr	BL			
	Br	BL			

This Test Report is issued by the Company subject to its General Conditions of Service printed overleaf or available on request and accessible at www.cpstlab.com. Attention is drawn to the limitations of liability, indemnification and jurisdictional issues defined therein. Unless otherwise stated the results shown in the test report refer only to the sample(s) tested. This test report cannot be reproduced, except in full, without prior written permission of the Company. Any unauthorized alteration, forgery or falsification of the content or appearance of this report is unlawful and offenders may be prosecuted to the fullest extent of the law.



50	Cd	BL	Not Tested	Non comment	Pass
	Pb	BL			
	Hg	BL			
	Cr	BL			
	Br	BL			
51	Cd	BL	PBBs: N.D. PBDEs: N.D.	Non comment	Pass
	Pb	BL			
	Hg	BL			
	Cr	BL			
	Br	X			
52	Cd	BL	Not Tested	Non comment	Pass
	Pb	BL			
	Hg	BL			
	Cr	BL			
	Br	BL			
53	Cd	BL	Cr(VI): Negative	Non comment	Pass
	Pb	BL			
	Hg	BL			
	Cr	X			
	Br	NA			
54	Cd	BL	Not Tested	Non comment	Pass
	Pb	BL			
	Hg	BL			
	Cr	BL			
	Br	NA			
55	Cd	BL	Not Tested	Non comment	Pass
	Pb	BL			
	Hg	BL			
	Cr	BL			
	Br	BL			
56	Cd	BL	Pb: N.D. Cr(VI): Negative	Non comment	Pass
	Pb	X			
	Hg	BL			
	Cr	X			
	Br	NA			

This Test Report is issued by the Company subject to its General Conditions of Service printed overleaf or available on request and accessible at www.cpstlab.com. Attention is drawn to the limitations of liability, indemnification and jurisdictional issues defined therein. Unless otherwise stated the results shown in the test report refer only to the sample(s) tested. This test report cannot be reproduced, except in full, without prior written permission of the Company. Any unauthorized alteration, forgery or falsification of the content or appearance of this report is unlawful and offenders may be prosecuted to the fullest extent of the law.

57	Cd	BL	Cr(VI): Negative	Non comment	Pass
	Pb	BL			
	Hg	BL			
	Cr	X			
	Br	NA			
58	Cd	BL	Not Tested	Non comment	Pass
	Pb	BL			
	Hg	BL			
	Cr	BL			
	Br	NA			
59	Cd	X	Cd: N.D. Cr(VI): Negative	Non comment	Pass
	Pb	BL			
	Hg	BL			
	Cr	X			
	Br	NA			
60	Cd	BL	Cr(VI): Negative	Non comment	Pass
	Pb	BL			
	Hg	BL			
	Cr	X			
	Br	NA			
61	Cd	BL	Cr(VI): Negative	Non comment	Pass
	Pb	BL			
	Hg	BL			
	Cr	X			
	Br	NA			
62	Cd	BL	Not Tested	Non comment	Pass
	Pb	BL			
	Hg	BL			
	Cr	BL			
	Br	NA			
63	Cd	BL	Pb: N.D. Cr(VI): Negative	Non comment	Pass
	Pb	X			
	Hg	BL			
	Cr	X			
	Br	NA			

This Test Report is issued by the Company subject to its General Conditions of Service printed overleaf or available on request and accessible at www.cpstlab.com. Attention is drawn to the limitations of liability, indemnification and jurisdictional issues defined therein. Unless otherwise stated the results shown in the test report refer only to the sample(s) tested. This test report cannot be reproduced, except in full, without prior written permission of the Company. Any unauthorized alteration, forgery or falsification of the content or appearance of this report is unlawful and offenders may be prosecuted to the fullest extent of the law.



64	Cd	BL	Not Tested	Non comment	Pass
	Pb	BL			
	Hg	BL			
	Cr	BL			
	Br	BL			
65	Cd	BL	Not Tested	Non comment	Pass
	Pb	BL			
	Hg	BL			
	Cr	BL			
	Br	BL			
66	Cd	BL	Not Tested	Non comment	Pass
	Pb	BL			
	Hg	BL			
	Cr	BL			
	Br	NA			
67	Cd	BL	Cr(VI): Negative	Non comment	Pass
	Pb	BL			
	Hg	BL			
	Cr	X			
	Br	NA			
68	Cd	BL	Cr(VI): Negative	Non comment	Pass
	Pb	BL			
	Hg	BL			
	Cr	X			
	Br	NA			
69	Cd	BL	Not Tested	Non comment	Pass
	Pb	BL			
	Hg	BL			
	Cr	BL			
	Br	NA			
70	Cd	BL	Pb: N.D.	Non comment	Pass
	Pb	X			
	Hg	BL			
	Cr	BL			
	Br	NA			

This Test Report is issued by the Company subject to its General Conditions of Service printed overleaf or available on request and accessible at www.cpstlab.com. Attention is drawn to the limitations of liability, indemnification and jurisdictional issues defined therein. Unless otherwise stated the results shown in the test report refer only to the sample(s) tested. This test report cannot be reproduced, except in full, without prior written permission of the Company. Any unauthorized alteration, forgery or falsification of the content or appearance of this report is unlawful and offenders may be prosecuted to the fullest extent of the law.



71	Cd	BL	Not Tested	Non comment	Pass
	Pb	BL			
	Hg	BL			
	Cr	BL			
	Br	BL			
72	Cd	BL	Pb: N.D.	Non comment	Pass
	Pb	X			
	Hg	BL			
	Cr	BL			
	Br	NA			
73	Cd	BL	Not Tested	Non comment	Pass
	Pb	BL			
	Hg	BL			
	Cr	BL			
	Br	NA			
74	Cd	BL	Not Tested	Non comment	Pass
	Pb	BL			
	Hg	BL			
	Cr	BL			
	Br	NA			
75	Cd	BL	Cr(VI): Negative	Non comment	Pass
	Pb	BL			
	Hg	BL			
	Cr	X			
	Br	NA			
76	Cd	X	Cd: N.D. Cr(VI): Negative	Non comment	Pass
	Pb	BL			
	Hg	BL			
	Cr	X			
	Br	NA			
77	Cd	BL	Cr(VI): Negative	Non comment	Pass
	Pb	BL			
	Hg	BL			
	Cr	X			
	Br	NA			

This Test Report is issued by the Company subject to its General Conditions of Service printed overleaf or available on request and accessible at www.cpstlab.com. Attention is drawn to the limitations of liability, indemnification and jurisdictional issues defined therein. Unless otherwise stated the results shown in the test report refer only to the sample(s) tested. This test report cannot be reproduced, except in full, without prior written permission of the Company. Any unauthorized alteration, forgery or falsification of the content or appearance of this report is unlawful and offenders may be prosecuted to the fullest extent of the law.

78	Cd	BL	Cr(VI): Negative	Non comment	Pass
	Pb	BL			
	Hg	BL			
	Cr	X			
	Br	NA			
79	Cd	BL	Not Tested	Non comment	Pass
	Pb	BL			
	Hg	BL			
	Cr	BL			
	Br	NA			
80	Cd	BL	Cr(VI): Negative	Non comment	Pass
	Pb	BL			
	Hg	BL			
	Cr	X			
	Br	NA			
81	Cd	BL	Not Tested	Non comment	Pass
	Pb	BL			
	Hg	BL			
	Cr	BL			
	Br	NA			
82	Cd	BL	Cr(VI): Negative	Non comment	Pass
	Pb	BL			
	Hg	BL			
	Cr	X			
	Br	NA			
83	Cd	BL	Not Tested	Non comment	Pass
	Pb	BL			
	Hg	BL			
	Cr	BL			
	Br	BL			
84	Cd	BL	Not Tested	Non comment	Pass
	Pb	BL			
	Hg	BL			
	Cr	BL			
	Br	BL			
85	Cd	BL	Not Tested	Non comment	Pass
	Pb	BL			
	Hg	BL			
	Cr	BL			
	Br	BL			

This Test Report is issued by the Company subject to its General Conditions of Service printed overleaf or available on request and accessible at www.cpstlab.com. Attention is drawn to the limitations of liability, indemnification and jurisdictional issues defined therein. Unless otherwise stated the results shown in the test report refer only to the sample(s) tested. This test report cannot be reproduced, except in full, without prior written permission of the Company. Any unauthorized alteration, forgery or falsification of the content or appearance of this report is unlawful and offenders may be prosecuted to the fullest extent of the law.

86	Cd	BL	Not Tested	Non comment	Pass
	Pb	BL			
	Hg	BL			
	Cr	BL			
	Br	BL			
87	Cd	BL	Not Tested	Non comment	Pass
	Pb	BL			
	Hg	BL			
	Cr	BL			
	Br	NA			
88	Cd	BL	Not Tested	Non comment	Pass
	Pb	BL			
	Hg	BL			
	Cr	BL			
	Br	BL			
89	Cd	BL	Cr(VI): Negative	Non comment	Pass
	Pb	BL			
	Hg	BL			
	Cr	X			
	Br	NA			
90	Cd	BL	Not Tested	Non comment	Pass
	Pb	BL			
	Hg	BL			
	Cr	BL			
	Br	BL			
91	Cd	BL	Not Tested	Non comment	Pass
	Pb	BL			
	Hg	BL			
	Cr	BL			
	Br	BL			
92	Cd	BL	Not Tested	Non comment	Pass
	Pb	BL			
	Hg	BL			
	Cr	BL			
	Br	BL			

This Test Report is issued by the Company subject to its General Conditions of Service printed overleaf or available on request and accessible at www.cpstlab.com. Attention is drawn to the limitations of liability, indemnification and jurisdictional issues defined therein. Unless otherwise stated the results shown in the test report refer only to the sample(s) tested. This test report cannot be reproduced, except in full, without prior written permission of the Company. Any unauthorized alteration, forgery or falsification of the content or appearance of this report is unlawful and offenders may be prosecuted to the fullest extent of the law.

93	Cd	BL	Not Tested	Non comment	Pass
	Pb	BL			
	Hg	BL			
	Cr	BL			
	Br	BL			
94	Cd	BL	Not Tested	Non comment	Pass
	Pb	BL			
	Hg	BL			
	Cr	BL			
	Br	BL			
95	Cd	BL	Not Tested	Non comment	Pass
	Pb	BL			
	Hg	BL			
	Cr	BL			
	Br	BL			
96	Cd	BL	Not Tested	Non comment	Pass
	Pb	BL			
	Hg	BL			
	Cr	BL			
	Br	NA			
97	Cd	BL	PBBs: N.D. PBDEs: N.D.	Non comment	Pass
	Pb	BL			
	Hg	BL			
	Cr	BL			
	Br	X			
98	Cd	BL	Not Tested	Non comment	Pass
	Pb	BL			
	Hg	BL			
	Cr	BL			
	Br	BL			
99	Cd	BL	Not Tested	Non comment	Pass
	Pb	BL			
	Hg	BL			
	Cr	BL			
	Br	NA			

This Test Report is issued by the Company subject to its General Conditions of Service printed overleaf or available on request and accessible at www.cpstlab.com. Attention is drawn to the limitations of liability, indemnification and jurisdictional issues defined therein. Unless otherwise stated the results shown in the test report refer only to the sample(s) tested. This test report cannot be reproduced, except in full, without prior written permission of the Company. Any unauthorized alteration, forgery or falsification of the content or appearance of this report is unlawful and offenders may be prosecuted to the fullest extent of the law.



100	Cd	BL	PBBs: N.D. PBDEs: N.D.	Non comment	Pass
	Pb	BL			
	Hg	BL			
	Cr	BL			
	Br	X			
101	Cd	BL	Not Tested	Non comment	Pass
	Pb	BL			
	Hg	BL			
	Cr	BL			
	Br	BL			
102	Cd	BL	Not Tested	Non comment	Pass
	Pb	BL			
	Hg	BL			
	Cr	BL			
	Br	BL			
103	Cd	BL	Not Tested	Non comment	Pass
	Pb	BL			
	Hg	BL			
	Cr	BL			
	Br	NA			
104	Cd	BL	Not Tested	Non comment	Pass
	Pb	BL			
	Hg	BL			
	Cr	BL			
	Br	NA			
105	Cd	BL	Not Tested	Non comment	Pass
	Pb	BL			
	Hg	BL			
	Cr	BL			
	Br	BL			
106	Cd	BL	Not Tested	Non comment	Pass
	Pb	BL			
	Hg	BL			
	Cr	BL			
	Br	NA			

This Test Report is issued by the Company subject to its General Conditions of Service printed overleaf or available on request and accessible at www.cpstlab.com. Attention is drawn to the limitations of liability, indemnification and jurisdictional issues defined therein. Unless otherwise stated the results shown in the test report refer only to the sample(s) tested. This test report cannot be reproduced, except in full, without prior written permission of the Company. Any unauthorized alteration, forgery or falsification of the content or appearance of this report is unlawful and offenders may be prosecuted to the fullest extent of the law.



107	Cd	BL	PBBs: N.D. PBDEs: N.D.	Non comment	Pass
	Pb	BL			
	Hg	BL			
	Cr	BL			
	Br	X			
108	Cd	BL	Cr(VI): Negative	Non comment	Pass
	Pb	BL			
	Hg	BL			
	Cr	X			
	Br	NA			
109	Cd	BL	Not Tested	Non comment	Pass
	Pb	BL			
	Hg	BL			
	Cr	BL			
	Br	BL			
110	Cd	BL	PBBs: N.D. PBDEs: N.D.	Non comment	Pass
	Pb	BL			
	Hg	BL			
	Cr	BL			
	Br	X			
111	Cd	BL	Not Tested	Non comment	Pass
	Pb	BL			
	Hg	BL			
	Cr	BL			
	Br	NA			
112	Cd	BL	Cr(VI): Negative	Non comment	Pass
	Pb	BL			
	Hg	BL			
	Cr	X			
	Br	NA			
113	Cd	BL	Not Tested	Non comment	Pass
	Pb	BL			
	Hg	BL			
	Cr	BL			
	Br	BL			

This Test Report is issued by the Company subject to its General Conditions of Service printed overleaf or available on request and accessible at www.cpstlab.com. Attention is drawn to the limitations of liability, indemnification and jurisdictional issues defined therein. Unless otherwise stated the results shown in the test report refer only to the sample(s) tested. This test report cannot be reproduced, except in full, without prior written permission of the Company. Any unauthorized alteration, forgery or falsification of the content or appearance of this report is unlawful and offenders may be prosecuted to the fullest extent of the law.



114	Cd	BL	Not Tested	Non comment	Pass
	Pb	BL			
	Hg	BL			
	Cr	BL			
	Br	BL			
115#	Cd	X	Cd: N.D. Pb: 16930	Non comment	Pass
	Pb	X			
	Hg	BL			
	Cr	BL			
	Br	BL			
116	Cd	BL	Cr(VI): Negative	Non comment	Pass
	Pb	BL			
	Hg	BL			
	Cr	X			
	Br	NA			
117	Cd	BL	Not Tested	Non comment	Pass
	Pb	BL			
	Hg	BL			
	Cr	BL			
	Br	NA			
118	Cd	BL	Cr(VI): Negative	Non comment	Pass
	Pb	BL			
	Hg	BL			
	Cr	X			
	Br	NA			
119	Cd	BL	Cr(VI): Negative	Non comment	Pass
	Pb	BL			
	Hg	BL			
	Cr	X			
	Br	NA			
120	Cd	BL	Cr(VI): Negative	Non comment	Pass
	Pb	BL			
	Hg	BL			
	Cr	X			
	Br	NA			

This Test Report is issued by the Company subject to its General Conditions of Service printed overleaf or available on request and accessible at www.cpstlab.com. Attention is drawn to the limitations of liability, indemnification and jurisdictional issues defined therein. Unless otherwise stated the results shown in the test report refer only to the sample(s) tested. This test report cannot be reproduced, except in full, without prior written permission of the Company. Any unauthorized alteration, forgery or falsification of the content or appearance of this report is unlawful and offenders may be prosecuted to the fullest extent of the law.

121	Cd	BL	Not Tested	Non comment	Pass
	Pb	BL			
	Hg	BL			
	Cr	BL			
	Br	NA			
122	Cd	BL	Cr(VI): Negative	Non comment	Pass
	Pb	BL			
	Hg	BL			
	Cr	X			
	Br	NA			
123	Cd	X	Cd: N.D. Cr(VI): Negative	Non comment	Pass
	Pb	BL			
	Hg	BL			
	Cr	X			
	Br	NA			
124	Cd	BL	Cr(VI): Negative	Non comment	Pass
	Pb	BL			
	Hg	BL			
	Cr	X			
	Br	NA			
125	Cd	BL	Not Tested	Non comment	Pass
	Pb	BL			
	Hg	BL			
	Cr	BL			
	Br	NA			
126	Cd	BL	Cr(VI): Negative	Non comment	Pass
	Pb	BL			
	Hg	BL			
	Cr	X			
	Br	NA			
127	Cd	BL	Cr(VI): Negative	Non comment	Pass
	Pb	BL			
	Hg	BL			
	Cr	X			
	Br	NA			

This Test Report is issued by the Company subject to its General Conditions of Service printed overleaf or available on request and accessible at www.cpstlab.com. Attention is drawn to the limitations of liability, indemnification and jurisdictional issues defined therein. Unless otherwise stated the results shown in the test report refer only to the sample(s) tested. This test report cannot be reproduced, except in full, without prior written permission of the Company. Any unauthorized alteration, forgery or falsification of the content or appearance of this report is unlawful and offenders may be prosecuted to the fullest extent of the law.

128	Cd	BL	PBBs: N.D. PBDEs: N.D.	Non comment	Pass
	Pb	BL			
	Hg	BL			
	Cr	BL			
	Br	X			
129	Cd	BL	Cr(VI): Negative	Non comment	Pass
	Pb	BL			
	Hg	BL			
	Cr	X			
	Br	NA			
130	Cd	BL	Cr(VI): Negative	Non comment	Pass
	Pb	BL			
	Hg	BL			
	Cr	X			
	Br	NA			
131	Cd	BL	Cr(VI): Negative	Non comment	Pass
	Pb	BL			
	Hg	BL			
	Cr	X			
	Br	NA			
132	Cd	BL	Not Tested	Non comment	Pass
	Pb	BL			
	Hg	BL			
	Cr	BL			
	Br	NA			
133	Cd	BL	Not Tested	Non comment	Pass
	Pb	BL			
	Hg	BL			
	Cr	BL			
	Br	NA			
134	Cd	BL	Cr(VI): Negative	Non comment	Pass
	Pb	BL			
	Hg	BL			
	Cr	X			
	Br	NA			

This Test Report is issued by the Company subject to its General Conditions of Service printed overleaf or available on request and accessible at www.cpstlab.com. Attention is drawn to the limitations of liability, indemnification and jurisdictional issues defined therein. Unless otherwise stated the results shown in the test report refer only to the sample(s) tested. This test report cannot be reproduced, except in full, without prior written permission of the Company. Any unauthorized alteration, forgery or falsification of the content or appearance of this report is unlawful and offenders may be prosecuted to the fullest extent of the law.



135	Cd	BL	Not Tested	Non comment	Pass
	Pb	BL			
	Hg	BL			
	Cr	BL			
	Br	NA			
136	Cd	BL	Not Tested	Non comment	Pass
	Pb	BL			
	Hg	BL			
	Cr	BL			
	Br	NA			
137	Cd	BL	Not Tested	Non comment	Pass
	Pb	BL			
	Hg	BL			
	Cr	BL			
	Br	NA			
138	Cd	BL	Not Tested	Non comment	Pass
	Pb	BL			
	Hg	BL			
	Cr	BL			
	Br	BL			
139	Cd	BL	Not Tested	Non comment	Pass
	Pb	BL			
	Hg	BL			
	Cr	BL			
	Br	NA			
140	Cd	BL	Not Tested	Non comment	Pass
	Pb	BL			
	Hg	BL			
	Cr	BL			
	Br	BL			
141	Cd	BL	Not Tested	Non comment	Pass
	Pb	BL			
	Hg	BL			
	Cr	BL			
	Br	NA			

This Test Report is issued by the Company subject to its General Conditions of Service printed overleaf or available on request and accessible at www.cpstlab.com. Attention is drawn to the limitations of liability, indemnification and jurisdictional issues defined therein. Unless otherwise stated the results shown in the test report refer only to the sample(s) tested. This test report cannot be reproduced, except in full, without prior written permission of the Company. Any unauthorized alteration, forgery or falsification of the content or appearance of this report is unlawful and offenders may be prosecuted to the fullest extent of the law.

142	Cd	BL	Not Tested	Non comment	Pass
	Pb	BL			
	Hg	BL			
	Cr	BL			
	Br	BL			
143	Cd	BL	Cr(VI): Negative	Non comment	Pass
	Pb	BL			
	Hg	BL			
	Cr	X			
	Br	NA			
144	Cd	BL	Cr(VI): Negative	Non comment	Pass
	Pb	BL			
	Hg	BL			
	Cr	X			
	Br	NA			
145	Cd	BL	Not Tested	Non comment	Pass
	Pb	BL			
	Hg	BL			
	Cr	BL			
	Br	BL			
146	Cd	BL	Cr(VI): Negative	Non comment	Pass
	Pb	BL			
	Hg	BL			
	Cr	X			
	Br	NA			
147	Cd	BL	Not Tested	Non comment	Pass
	Pb	BL			
	Hg	BL			
	Cr	BL			
	Br	BL			
148	Cd	BL	Not Tested	Non comment	Pass
	Pb	BL			
	Hg	BL			
	Cr	BL			
	Br	BL			

This Test Report is issued by the Company subject to its General Conditions of Service printed overleaf or available on request and accessible at www.cpstlab.com. Attention is drawn to the limitations of liability, indemnification and jurisdictional issues defined therein. Unless otherwise stated the results shown in the test report refer only to the sample(s) tested. This test report cannot be reproduced, except in full, without prior written permission of the Company. Any unauthorized alteration, forgery or falsification of the content or appearance of this report is unlawful and offenders may be prosecuted to the fullest extent of the law.



149	Cd	BL	Not Tested	Non comment	Pass
	Pb	BL			
	Hg	BL			
	Cr	BL			
	Br	BL			
150	Cd	BL	Not Tested	Non comment	Pass
	Pb	BL			
	Hg	BL			
	Cr	BL			
	Br	BL			
151	Cd	BL	Not Tested	Non comment	Pass
	Pb	BL			
	Hg	BL			
	Cr	BL			
	Br	BL			
152	Cd	BL	Not Tested	Non comment	Pass
	Pb	BL			
	Hg	BL			
	Cr	BL			
	Br	BL			
153	Cd	BL	Not Tested	Non comment	Pass
	Pb	BL			
	Hg	BL			
	Cr	BL			
	Br	BL			
154	Cd	BL	Not Tested	Non comment	Pass
	Pb	BL			
	Hg	BL			
	Cr	BL			
	Br	BL			
155	Cd	BL	Not Tested	Non comment	Pass
	Pb	BL			
	Hg	BL			
	Cr	BL			
	Br	BL			
156	Cd	BL	Not Tested	Non comment	Pass
	Pb	BL			
	Hg	BL			
	Cr	BL			
	Br	BL			

This Test Report is issued by the Company subject to its General Conditions of Service printed overleaf or available on request and accessible at www.cpstlab.com. Attention is drawn to the limitations of liability, indemnification and jurisdictional issues defined therein. Unless otherwise stated the results shown in the test report refer only to the sample(s) tested. This test report cannot be reproduced, except in full, without prior written permission of the Company. Any unauthorized alteration, forgery or falsification of the content or appearance of this report is unlawful and offenders may be prosecuted to the fullest extent of the law.

157	Cd	BL	Not Tested	Non comment	Pass
	Pb	BL			
	Hg	BL			
	Cr	BL			
	Br	BL			
158	Cd	BL	Not Tested	Non comment	Pass
	Pb	BL			
	Hg	BL			
	Cr	BL			
	Br	BL			
159	Cd	BL	Cr(VI):N.D.	Non comment	Pass
	Pb	BL			
	Hg	BL			
	Cr	X			
	Br	NA			
160	Cd	BL	Cr(VI): Negative	Non comment	Pass
	Pb	BL			
	Hg	BL			
	Cr	X			
	Br	NA			
161	Cd	BL	Not Tested	Non comment	Pass
	Pb	BL			
	Hg	BL			
	Cr	BL			
	Br	NA			
162	Cd	X	Cd**:N.D.	Non comment	Pass
	Pb	BL			
	Hg	BL			
	Cr	BL			
	Br	NA			
163	Cd	BL	Not Tested	Non comment	Pass
	Pb	BL			
	Hg	BL			
	Cr	BL			
	Br	NA			
164	Cd	BL	Cr(VI): Negative	Non comment	Pass
	Pb	BL			
	Hg	BL			
	Cr	X			
	Br	NA			

This Test Report is issued by the Company subject to its General Conditions of Service printed overleaf or available on request and accessible at www.cpstlab.com. Attention is drawn to the limitations of liability, indemnification and jurisdictional issues defined therein. Unless otherwise stated the results shown in the test report refer only to the sample(s) tested. This test report cannot be reproduced, except in full, without prior written permission of the Company. Any unauthorized alteration, forgery or falsification of the content or appearance of this report is unlawful and offenders may be prosecuted to the fullest extent of the law.

165	Cd	BL	Not Tested	Non comment	Pass
	Pb	BL			
	Hg	BL			
	Cr	BL			
	Br	BL			
166	Cd	BL	Not Tested	Non comment	Pass
	Pb	BL			
	Hg	BL			
	Cr	BL			
	Br	NA			
167	Cd	X	Cd**:52	Non comment	Pass
	Pb	BL			
	Hg	BL			
	Cr	BL			
	Br	NA			
168	Cd	BL	Cr(VI): Negative	Non comment	Pass
	Pb	BL			
	Hg	BL			
	Cr	X			
	Br	NA			
169	Cd	BL	Not Tested	Non comment	Pass
	Pb	BL			
	Hg	BL			
	Cr	BL			
	Br	BL			
170	Cd	BL	Cr(VI): Negative	Non comment	Pass
	Pb	BL			
	Hg	BL			
	Cr	X			
	Br	NA			
171	Cd	BL	Cr(VI): Negative	Non comment	Pass
	Pb	BL			
	Hg	BL			
	Cr	X			
	Br	NA			
172	Cd	BL	Not Tested	Non comment	Pass
	Pb	BL			
	Hg	BL			
	Cr	BL			
	Br	NA			

This Test Report is issued by the Company subject to its General Conditions of Service printed overleaf or available on request and accessible at www.cpstlab.com. Attention is drawn to the limitations of liability, indemnification and jurisdictional issues defined therein. Unless otherwise stated the results shown in the test report refer only to the sample(s) tested. This test report cannot be reproduced, except in full, without prior written permission of the Company. Any unauthorized alteration, forgery or falsification of the content or appearance of this report is unlawful and offenders may be prosecuted to the fullest extent of the law.

173	Cd	BL	Not Tested	Non comment	Pass
	Pb	BL			
	Hg	BL			
	Cr	BL			
	Br	BL			
174	Cd	BL	Cr(VI): Negative	Non comment	Pass
	Pb	BL			
	Hg	BL			
	Cr	X			
	Br	NA			
175	Cd	BL	Cr(VI): Negative	Non comment	Pass
	Pb	BL			
	Hg	BL			
	Cr	X			
	Br	NA			
176	Cd	BL	Not Tested	Non comment	Pass
	Pb	BL			
	Hg	BL			
	Cr	BL			
	Br	BL			
177	Cd	BL	Cr(VI): Negative	Non comment	Pass
	Pb	BL			
	Hg	BL			
	Cr	X			
	Br	NA			
178	Cd	BL	Not Tested	Non comment	Pass
	Pb	BL			
	Hg	BL			
	Cr	BL			
	Br	BL			
179	Cd	BL	Cr(VI): Negative	Non comment	Pass
	Pb	BL			
	Hg	BL			
	Cr	X			
	Br	NA			
180	Cd	BL	Not Tested	Non comment	Pass
	Pb	BL			
	Hg	BL			
	Cr	BL			
	Br	NA			

This Test Report is issued by the Company subject to its General Conditions of Service printed overleaf or available on request and accessible at www.cpstlab.com. Attention is drawn to the limitations of liability, indemnification and jurisdictional issues defined therein. Unless otherwise stated the results shown in the test report refer only to the sample(s) tested. This test report cannot be reproduced, except in full, without prior written permission of the Company. Any unauthorized alteration, forgery or falsification of the content or appearance of this report is unlawful and offenders may be prosecuted to the fullest extent of the law.

181	Cd	BL	Not Tested	Non comment	Pass
	Pb	BL			
	Hg	BL			
	Cr	BL			
	Br	BL			
182	Cd	BL	Not Tested	Non comment	Pass
	Pb	BL			
	Hg	BL			
	Cr	BL			
	Br	BL			
183	Cd	BL	PBBs: N.D. PBDEs: N.D.	Non comment	Pass
	Pb	BL			
	Hg	BL			
	Cr	BL			
	Br	X			
184	Cd	BL	Cr(VI): Negative	Non comment	Pass
	Pb	BL			
	Hg	BL			
	Cr	X			
	Br	NA			
185	Cd	BL	Not Tested	Non comment	Pass
	Pb	BL			
	Hg	BL			
	Cr	BL			
	Br	NA			
186	Cd	BL	Cr(VI): Negative	Non comment	Pass
	Pb	BL			
	Hg	BL			
	Cr	X			
	Br	NA			
187	Cd	BL	Not Tested	Non comment	Pass
	Pb	BL			
	Hg	BL			
	Cr	BL			
	Br	BL			

This Test Report is issued by the Company subject to its General Conditions of Service printed overleaf or available on request and accessible at www.cpstlab.com. Attention is drawn to the limitations of liability, indemnification and jurisdictional issues defined therein. Unless otherwise stated the results shown in the test report refer only to the sample(s) tested. This test report cannot be reproduced, except in full, without prior written permission of the Company. Any unauthorized alteration, forgery or falsification of the content or appearance of this report is unlawful and offenders may be prosecuted to the fullest extent of the law.



188	Cd	BL	Not Tested	Non comment	Pass
	Pb	BL			
	Hg	BL			
	Cr	BL			
	Br	NA			
189	Cd	BL	Cr(VI): Negative	Non comment	Pass
	Pb	BL			
	Hg	BL			
	Cr	X			
	Br	NA			
190	Cd	BL	Cr(VI): Negative	Non comment	Pass
	Pb	BL			
	Hg	BL			
	Cr	X			
	Br	NA			
191	Cd	BL	PBBs: N.D. PBDEs: N.D.	Non comment	Pass
	Pb	BL			
	Hg	BL			
	Cr	BL			
	Br	X			
192	Cd	BL	Not Tested	Non comment	Pass
	Pb	BL			
	Hg	BL			
	Cr	BL			
	Br	BL			
193	Cd	BL	Not Tested	Non comment	Pass
	Pb	BL			
	Hg	BL			
	Cr	BL			
	Br	BL			
194	Cd	BL	Not Tested	Non comment	Pass
	Pb	BL			
	Hg	BL			
	Cr	BL			
	Br	NA			

This Test Report is issued by the Company subject to its General Conditions of Service printed overleaf or available on request and accessible at www.cpstlab.com. Attention is drawn to the limitations of liability, indemnification and jurisdictional issues defined therein. Unless otherwise stated the results shown in the test report refer only to the sample(s) tested. This test report cannot be reproduced, except in full, without prior written permission of the Company. Any unauthorized alteration, forgery or falsification of the content or appearance of this report is unlawful and offenders may be prosecuted to the fullest extent of the law.

195	Cd	BL	Not Tested	Non comment	Pass
	Pb	BL			
	Hg	BL			
	Cr	BL			
	Br	NA			
196	Cd	BL	Not Tested	Non comment	Pass
	Pb	BL			
	Hg	BL			
	Cr	BL			
	Br	BL			
197	Cd	BL	Cr(VI): Negative	Non comment	Pass
	Pb	BL			
	Hg	BL			
	Cr	X			
	Br	NA			
198	Cd	BL	Not Tested	Non comment	Pass
	Pb	BL			
	Hg	BL			
	Cr	BL			
	Br	NA			
199	Cd	BL	Not Tested	Non comment	Pass
	Pb	BL			
	Hg	BL			
	Cr	BL			
	Br	NA			
200	Cd	BL	Not Tested	Non comment	Pass
	Pb	BL			
	Hg	BL			
	Cr	BL			
	Br	NA			
201	Cd	BL	Cr(VI): Negative	Non comment	Pass
	Pb	BL			
	Hg	BL			
	Cr	X			
	Br	NA			
202	Cd	BL	Not Tested	Non comment	Pass
	Pb	BL			
	Hg	BL			
	Cr	BL			
	Br	BL			

This Test Report is issued by the Company subject to its General Conditions of Service printed overleaf or available on request and accessible at www.cpstlab.com. Attention is drawn to the limitations of liability, indemnification and jurisdictional issues defined therein. Unless otherwise stated the results shown in the test report refer only to the sample(s) tested. This test report cannot be reproduced, except in full, without prior written permission of the Company. Any unauthorized alteration, forgery or falsification of the content or appearance of this report is unlawful and offenders may be prosecuted to the fullest extent of the law.



203	Cd	BL	Not Tested	Non comment	Pass
	Pb	BL			
	Hg	BL			
	Cr	BL			
	Br	NA			
204	Cd	BL	Cr(VI): Negative	Non comment	Pass
	Pb	BL			
	Hg	BL			
	Cr	X			
	Br	NA			
205	Cd	BL	Not Tested	Non comment	Pass
	Pb	BL			
	Hg	BL			
	Cr	BL			
	Br	NA			
206	Cd	BL	Not Tested	Non comment	Pass
	Pb	BL			
	Hg	BL			
	Cr	BL			
	Br	NA			
207	Cd	BL	Not Tested	Non comment	Pass
	Pb	BL			
	Hg	BL			
	Cr	BL			
	Br	BL			
208	Cd	BL	Not Tested	Non comment	Pass
	Pb	BL			
	Hg	BL			
	Cr	BL			
	Br	BL			
209	Cd	BL	Not Tested	Non comment	Pass
	Pb	BL			
	Hg	BL			
	Cr	BL			
	Br	BL			
210	Cd	BL	Not Tested	Non comment	Pass
	Pb	BL			
	Hg	BL			
	Cr	BL			
	Br	BL			

This Test Report is issued by the Company subject to its General Conditions of Service printed overleaf or available on request and accessible at www.cpstlab.com. Attention is drawn to the limitations of liability, indemnification and jurisdictional issues defined therein. Unless otherwise stated the results shown in the test report refer only to the sample(s) tested. This test report cannot be reproduced, except in full, without prior written permission of the Company. Any unauthorized alteration, forgery or falsification of the content or appearance of this report is unlawful and offenders may be prosecuted to the fullest extent of the law.

211	Cd	BL	Not Tested	Non comment	Pass
	Pb	BL			
	Hg	BL			
	Cr	BL			
	Br	BL			
212	Cd	BL	Not Tested	Non comment	Pass
	Pb	BL			
	Hg	BL			
	Cr	BL			
	Br	BL			
213	Cd	BL	Not Tested	Non comment	Pass
	Pb	BL			
	Hg	BL			
	Cr	BL			
	Br	BL			
214	Cd	BL	Not Tested	Non comment	Pass
	Pb	BL			
	Hg	BL			
	Cr	BL			
	Br	NA			
215	Cd	BL	Not Tested	Non comment	Pass
	Pb	BL			
	Hg	BL			
	Cr	BL			
	Br	NA			
216	Cd	BL	Not Tested	Non comment	Pass
	Pb	BL			
	Hg	BL			
	Cr	BL			
	Br	NA			
217	Cd	BL	Not Tested	Non comment	Pass
	Pb	BL			
	Hg	BL			
	Cr	BL			
	Br	NA			
218	Cd	BL	Cr(VI): Negative	Non comment	Pass
	Pb	BL			
	Hg	BL			
	Cr	X			
	Br	NA			

This Test Report is issued by the Company subject to its General Conditions of Service printed overleaf or available on request and accessible at www.cpstlab.com. Attention is drawn to the limitations of liability, indemnification and jurisdictional issues defined therein. Unless otherwise stated the results shown in the test report refer only to the sample(s) tested. This test report cannot be reproduced, except in full, without prior written permission of the Company. Any unauthorized alteration, forgery or falsification of the content or appearance of this report is unlawful and offenders may be prosecuted to the fullest extent of the law.

219	Cd	BL	Not Tested	Non comment	Pass
	Pb	BL			
	Hg	BL			
	Cr	BL			
	Br	BL			
220	Cd	BL	Not Tested	Non comment	Pass
	Pb	BL			
	Hg	BL			
	Cr	BL			
	Br	NA			
221	Cd	BL	Not Tested	Non comment	Pass
	Pb	BL			
	Hg	BL			
	Cr	BL			
	Br	NA			
222	Cd	BL	Cr(VI): Negative	Non comment	Pass
	Pb	BL			
	Hg	BL			
	Cr	X			
	Br	NA			
223	Cd	BL	Not Tested	Non comment	Pass
	Pb	BL			
	Hg	BL			
	Cr	BL			
	Br	BL			
224	Cd	BL	PBBs: N.D. PBDEs: N.D.	Non comment	Pass
	Pb	BL			
	Hg	BL			
	Cr	BL			
	Br	X			
225	Cd	BL	Not Tested	Non comment	Pass
	Pb	BL			
	Hg	BL			
	Cr	BL			
	Br	NA			

This Test Report is issued by the Company subject to its General Conditions of Service printed overleaf or available on request and accessible at www.cpstlab.com. Attention is drawn to the limitations of liability, indemnification and jurisdictional issues defined therein. Unless otherwise stated the results shown in the test report refer only to the sample(s) tested. This test report cannot be reproduced, except in full, without prior written permission of the Company. Any unauthorized alteration, forgery or falsification of the content or appearance of this report is unlawful and offenders may be prosecuted to the fullest extent of the law.

226	Cd	BL	Not Tested	Non comment	Pass
	Pb	BL			
	Hg	BL			
	Cr	BL			
	Br	BL			
227	Cd	BL	Not Tested	Non comment	Pass
	Pb	BL			
	Hg	BL			
	Cr	BL			
	Br	BL			
228	Cd	BL	Not Tested	Non comment	Pass
	Pb	BL			
	Hg	BL			
	Cr	BL			
	Br	NA			
229	Cd	BL	Not Tested	Non comment	Pass
	Pb	BL			
	Hg	BL			
	Cr	BL			
	Br	BL			
230	Cd	BL	Cr(VI): Negative	Non comment	Pass
	Pb	BL			
	Hg	BL			
	Cr	X			
	Br	NA			
231	Cd	BL	Not Tested	Non comment	Pass
	Pb	BL			
	Hg	BL			
	Cr	BL			
	Br	BL			
232	Cd	BL	Not Tested	Non comment	Pass
	Pb	BL			
	Hg	BL			
	Cr	BL			
	Br	BL			
233	Cd	BL	Not Tested	Non comment	Pass
	Pb	BL			
	Hg	BL			
	Cr	BL			
	Br	BL			

This Test Report is issued by the Company subject to its General Conditions of Service printed overleaf or available on request and accessible at www.cpstlab.com. Attention is drawn to the limitations of liability, indemnification and jurisdictional issues defined therein. Unless otherwise stated the results shown in the test report refer only to the sample(s) tested. This test report cannot be reproduced, except in full, without prior written permission of the Company. Any unauthorized alteration, forgery or falsification of the content or appearance of this report is unlawful and offenders may be prosecuted to the fullest extent of the law.

234	Cd	BL	Not Tested	Non comment	Pass
	Pb	BL			
	Hg	BL			
	Cr	BL			
	Br	BL			
235	Cd	BL	Not Tested	Non comment	Pass
	Pb	BL			
	Hg	BL			
	Cr	BL			
	Br	BL			
236	Cd	BL	Not Tested	Non comment	Pass
	Pb	BL			
	Hg	BL			
	Cr	BL			
	Br	BL			
237	Cd	BL	Not Tested	Non comment	Pass
	Pb	BL			
	Hg	BL			
	Cr	BL			
	Br	BL			
238	Cd	BL	Not Tested	Non comment	Pass
	Pb	BL			
	Hg	BL			
	Cr	BL			
	Br	BL			
239	Cd	BL	Not Tested	Non comment	Pass
	Pb	BL			
	Hg	BL			
	Cr	BL			
	Br	BL			
240	Cd	BL	Not Tested	Non comment	Pass
	Pb	BL			
	Hg	BL			
	Cr	BL			
	Br	BL			
241	Cd	BL	Not Tested	Non comment	Pass
	Pb	BL			
	Hg	BL			
	Cr	BL			
	Br	BL			

This Test Report is issued by the Company subject to its General Conditions of Service printed overleaf or available on request and accessible at www.cpstlab.com. Attention is drawn to the limitations of liability, indemnification and jurisdictional issues defined therein. Unless otherwise stated the results shown in the test report refer only to the sample(s) tested. This test report cannot be reproduced, except in full, without prior written permission of the Company. Any unauthorized alteration, forgery or falsification of the content or appearance of this report is unlawful and offenders may be prosecuted to the fullest extent of the law.



242	Cd	BL	Not Tested	Non comment	Pass
	Pb	BL			
	Hg	BL			
	Cr	BL			
	Br	NA			
243	Cd	BL	PBBs: N.D. PBDEs: N.D.	Non comment	Pass
	Pb	BL			
	Hg	BL			
	Cr	BL			
	Br	X			
244	Cd	BL	Cr(VI): Negative	Non comment	Pass
	Pb	BL			
	Hg	BL			
	Cr	X			
	Br	NA			
245	Cd	BL	Not Tested	Non comment	Pass
	Pb	BL			
	Hg	BL			
	Cr	BL			
	Br	BL			
246	Cd	BL	Not Tested	Non comment	Pass
	Pb	BL			
	Hg	BL			
	Cr	BL			
	Br	NA			
247	Cd	BL	PBBs: N.D. PBDEs: N.D.	Non comment	Pass
	Pb	BL			
	Hg	BL			
	Cr	BL			
	Br	X			
248	Cd	BL	Not Tested	Non comment	Pass
	Pb	BL			
	Hg	BL			
	Cr	BL			
	Br	NA			

This Test Report is issued by the Company subject to its General Conditions of Service printed overleaf or available on request and accessible at www.cpstlab.com. Attention is drawn to the limitations of liability, indemnification and jurisdictional issues defined therein. Unless otherwise stated the results shown in the test report refer only to the sample(s) tested. This test report cannot be reproduced, except in full, without prior written permission of the Company. Any unauthorized alteration, forgery or falsification of the content or appearance of this report is unlawful and offenders may be prosecuted to the fullest extent of the law.

249	Cd	BL	PBBs: N.D. PBDEs: N.D.	Non comment	Pass
	Pb	BL			
	Hg	BL			
	Cr	BL			
	Br	X			
250	Cd	BL	Not Tested	Non comment	Pass
	Pb	BL			
	Hg	BL			
	Cr	BL			
	Br	NA			
251	Cd	BL	Not Tested	Non comment	Pass
	Pb	BL			
	Hg	BL			
	Cr	BL			
	Br	NA			
252	Cd	BL	Not Tested	Non comment	Pass
	Pb	BL			
	Hg	BL			
	Cr	BL			
	Br	NA			
253	Cd	BL	Not Tested	Non comment	Pass
	Pb	BL			
	Hg	BL			
	Cr	BL			
	Br	NA			
254	Cd	BL	Not Tested	Non comment	Pass
	Pb	BL			
	Hg	BL			
	Cr	BL			
	Br	NA			
255	Cd	BL	Not Tested	Non comment	Pass
	Pb	BL			
	Hg	BL			
	Cr	BL			
	Br	NA			

This Test Report is issued by the Company subject to its General Conditions of Service printed overleaf or available on request and accessible at www.cpstlab.com. Attention is drawn to the limitations of liability, indemnification and jurisdictional issues defined therein. Unless otherwise stated the results shown in the test report refer only to the sample(s) tested. This test report cannot be reproduced, except in full, without prior written permission of the Company. Any unauthorized alteration, forgery or falsification of the content or appearance of this report is unlawful and offenders may be prosecuted to the fullest extent of the law.

256	Cd	BL	Not Tested	Non comment	Pass
	Pb	BL			
	Hg	BL			
	Cr	BL			
	Br	BL			
257	Cd	BL	Not Tested	Non comment	Pass
	Pb	BL			
	Hg	BL			
	Cr	BL			
	Br	BL			
258	Cd	BL	PBBs: N.D. PBDEs: N.D.	Non comment	Pass
	Pb	BL			
	Hg	BL			
	Cr	BL			
	Br	X			
259	Cd	BL	Not Tested	Non comment	Pass
	Pb	BL			
	Hg	BL			
	Cr	BL			
	Br	BL			
260	Cd	BL	Not Tested	Non comment	Pass
	Pb	BL			
	Hg	BL			
	Cr	BL			
	Br	BL			
261	Cd	BL	Not Tested	Non comment	Pass
	Pb	BL			
	Hg	BL			
	Cr	BL			
	Br	BL			
262	Cd	BL	Cr(VI)***: N.D.	Non comment	Pass
	Pb	BL			
	Hg	BL			
	Cr	X			
	Br	BL			

This Test Report is issued by the Company subject to its General Conditions of Service printed overleaf or available on request and accessible at www.cpstlab.com. Attention is drawn to the limitations of liability, indemnification and jurisdictional issues defined therein. Unless otherwise stated the results shown in the test report refer only to the sample(s) tested. This test report cannot be reproduced, except in full, without prior written permission of the Company. Any unauthorized alteration, forgery or falsification of the content or appearance of this report is unlawful and offenders may be prosecuted to the fullest extent of the law.

263	Cd	BL	Not Tested	Non comment	Pass
	Pb	BL			
	Hg	BL			
	Cr	BL			
	Br	NA			
264	Cd	BL	PBBs: N.D. PBDEs: N.D.	Non comment	Pass
	Pb	BL			
	Hg	BL			
	Cr	BL			
	Br	X			
265*	Cd	BL	Pb: 19980	Non comment	Pass
	Pb	X			
	Hg	BL			
	Cr	BL			
	Br	NA			
266	Cd	BL	Not Tested	Non comment	Pass
	Pb	BL			
	Hg	BL			
	Cr	BL			
	Br	BL			
267	Cd	BL	Not Tested	Non comment	Pass
	Pb	BL			
	Hg	BL			
	Cr	BL			
	Br	NA			
268	Cd	BL	Cr(VI): Negative	Non comment	Pass
	Pb	BL			
	Hg	BL			
	Cr	X			
	Br	NA			
269	Cd	X	Cd: N.D.	Non comment	Pass
	Pb	BL			
	Hg	BL			
	Cr	BL			
	Br	NA			

This Test Report is issued by the Company subject to its General Conditions of Service printed overleaf or available on request and accessible at www.cpstlab.com. Attention is drawn to the limitations of liability, indemnification and jurisdictional issues defined therein. Unless otherwise stated the results shown in the test report refer only to the sample(s) tested. This test report cannot be reproduced, except in full, without prior written permission of the Company. Any unauthorized alteration, forgery or falsification of the content or appearance of this report is unlawful and offenders may be prosecuted to the fullest extent of the law.



270	Cd	BL	PBBs: N.D. PBDEs: N.D.	Non comment	Pass
	Pb	BL			
	Hg	BL			
	Cr	BL			
	Br	X			
271	Cd	BL	Not Tested	Non comment	Pass
	Pb	BL			
	Hg	BL			
	Cr	BL			
	Br	BL			
272	Cd	BL	Not Tested	Non comment	Pass
	Pb	BL			
	Hg	BL			
	Cr	BL			
	Br	NA			
273	Cd	BL	Not Tested	Non comment	Pass
	Pb	BL			
	Hg	BL			
	Cr	BL			
	Br	BL			
274	Cd	BL	Not Tested	Non comment	Pass
	Pb	BL			
	Hg	BL			
	Cr	BL			
	Br	BL			
275	Cd	BL	Not Tested	Non comment	Pass
	Pb	BL			
	Hg	BL			
	Cr	BL			
	Br	NA			
276	Cd	BL	Not Tested	Non comment	Pass
	Pb	BL			
	Hg	BL			
	Cr	BL			
	Br	BL			

This Test Report is issued by the Company subject to its General Conditions of Service printed overleaf or available on request and accessible at www.cpstlab.com. Attention is drawn to the limitations of liability, indemnification and jurisdictional issues defined therein. Unless otherwise stated the results shown in the test report refer only to the sample(s) tested. This test report cannot be reproduced, except in full, without prior written permission of the Company. Any unauthorized alteration, forgery or falsification of the content or appearance of this report is unlawful and offenders may be prosecuted to the fullest extent of the law.



277	Cd	BL	PBBs: N.D. PBDEs: N.D.	Non comment	Pass
	Pb	BL			
	Hg	BL			
	Cr	BL			
	Br	X			
278	Cd	BL	Not Tested	Non comment	Pass
	Pb	BL			
	Hg	BL			
	Cr	BL			
	Br	BL			
279	Cd	BL	Not Tested	Non comment	Pass
	Pb	BL			
	Hg	BL			
	Cr	BL			
	Br	NA			
280	Cd	BL	Not Tested	Non comment	Pass
	Pb	BL			
	Hg	BL			
	Cr	BL			
	Br	NA			
281	Cd	BL	Not Tested	Non comment	Pass
	Pb	BL			
	Hg	BL			
	Cr	BL			
	Br	BL			
282	Cd	BL	Not Tested	Non comment	Pass
	Pb	BL			
	Hg	BL			
	Cr	BL			
	Br	NA			
283	Cd	BL	Not Tested	Non comment	Pass
	Pb	BL			
	Hg	BL			
	Cr	BL			
	Br	NA			

This Test Report is issued by the Company subject to its General Conditions of Service printed overleaf or available on request and accessible at www.cpstlab.com. Attention is drawn to the limitations of liability, indemnification and jurisdictional issues defined therein. Unless otherwise stated the results shown in the test report refer only to the sample(s) tested. This test report cannot be reproduced, except in full, without prior written permission of the Company. Any unauthorized alteration, forgery or falsification of the content or appearance of this report is unlawful and offenders may be prosecuted to the fullest extent of the law.

284	Cd	BL	Not Tested	Non comment	Pass
	Pb	BL			
	Hg	BL			
	Cr	BL			
	Br	NA			
285	Cd	BL	Not Tested	Non comment	Pass
	Pb	BL			
	Hg	BL			
	Cr	BL			
	Br	NA			
286	Cd	BL	Not Tested	Non comment	Pass
	Pb	BL			
	Hg	BL			
	Cr	BL			
	Br	NA			
287	Cd	BL	Not Tested	Non comment	Pass
	Pb	BL			
	Hg	BL			
	Cr	BL			
	Br	NA			
288	Cd	BL	Not Tested	Non comment	Pass
	Pb	BL			
	Hg	BL			
	Cr	BL			
	Br	BL			
289	Cd	BL	Not Tested	Non comment	Pass
	Pb	BL			
	Hg	BL			
	Cr	BL			
	Br	BL			
290	Cd	BL	Not Tested	Non comment	Pass
	Pb	BL			
	Hg	BL			
	Cr	BL			
	Br	BL			
291	Cd	BL	Not Tested	Non comment	Pass
	Pb	BL			
	Hg	BL			
	Cr	BL			
	Br	BL			

This Test Report is issued by the Company subject to its General Conditions of Service printed overleaf or available on request and accessible at www.cpstlab.com. Attention is drawn to the limitations of liability, indemnification and jurisdictional issues defined therein. Unless otherwise stated the results shown in the test report refer only to the sample(s) tested. This test report cannot be reproduced, except in full, without prior written permission of the Company. Any unauthorized alteration, forgery or falsification of the content or appearance of this report is unlawful and offenders may be prosecuted to the fullest extent of the law.

292	Cd	BL	Not Tested	Non comment	Pass
	Pb	BL			
	Hg	BL			
	Cr	BL			
	Br	NA			
293	Cd	BL	Not Tested	Non comment	Pass
	Pb	BL			
	Hg	BL			
	Cr	BL			
	Br	NA			
294	Cd	BL	Not Tested	Non comment	Pass
	Pb	BL			
	Hg	BL			
	Cr	BL			
	Br	BL			
295	Cd	BL	Not Tested	Non comment	Pass
	Pb	BL			
	Hg	BL			
	Cr	BL			
	Br	BL			
296	Cd	BL	Not Tested	Non comment	Pass
	Pb	BL			
	Hg	BL			
	Cr	BL			
	Br	BL			
297	Cd	BL	PBBs: N.D. PBDEs: N.D.	Non comment	Pass
	Pb	BL			
	Hg	BL			
	Cr	BL			
	Br	X			
298	Cd	BL	Not Tested	Non comment	Pass
	Pb	BL			
	Hg	BL			
	Cr	BL			
	Br	NA			

This Test Report is issued by the Company subject to its General Conditions of Service printed overleaf or available on request and accessible at www.cpstlab.com. Attention is drawn to the limitations of liability, indemnification and jurisdictional issues defined therein. Unless otherwise stated the results shown in the test report refer only to the sample(s) tested. This test report cannot be reproduced, except in full, without prior written permission of the Company. Any unauthorized alteration, forgery or falsification of the content or appearance of this report is unlawful and offenders may be prosecuted to the fullest extent of the law.

299	Cd	BL	Not Tested	Non comment	Pass
	Pb	BL			
	Hg	BL			
	Cr	BL			
	Br	BL			
300	Cd	BL	Not Tested	Non comment	Pass
	Pb	BL			
	Hg	BL			
	Cr	BL			
	Br	NA			
301	Cd	BL	PBBs: N.D. PBDEs: N.D.	Non comment	Pass
	Pb	BL			
	Hg	BL			
	Cr	BL			
	Br	X			
302	Cd	BL	Not Tested	Non comment	Pass
	Pb	BL			
	Hg	BL			
	Cr	BL			
	Br	NA			
303	Cd	BL	Not Tested	Non comment	Pass
	Pb	BL			
	Hg	BL			
	Cr	BL			
	Br	BL			
304	Cd	X	Cd: N.D.	Non comment	Pass
	Pb	BL			
	Hg	BL			
	Cr	BL			
	Br	NA			
305	Cd	BL	Not Tested	Non comment	Pass
	Pb	BL			
	Hg	BL			
	Cr	BL			
	Br	BL			

This Test Report is issued by the Company subject to its General Conditions of Service printed overleaf or available on request and accessible at www.cpstlab.com. Attention is drawn to the limitations of liability, indemnification and jurisdictional issues defined therein. Unless otherwise stated the results shown in the test report refer only to the sample(s) tested. This test report cannot be reproduced, except in full, without prior written permission of the Company. Any unauthorized alteration, forgery or falsification of the content or appearance of this report is unlawful and offenders may be prosecuted to the fullest extent of the law.

306	Cd	BL	Cr(VI): Negative	Non comment	Pass
	Pb	BL			
	Hg	BL			
	Cr	X			
	Br	NA			
307	Cd	BL	Not Tested	Non comment	Pass
	Pb	BL			
	Hg	BL			
	Cr	BL			
	Br	BL			
308	Cd	BL	Not Tested	Non comment	Pass
	Pb	BL			
	Hg	BL			
	Cr	BL			
	Br	BL			
309	Cd	BL	Cr(VI): Negative	Non comment	Pass
	Pb	BL			
	Hg	BL			
	Cr	X			
	Br	NA			
310	Cd	BL	Cr(VI): Negative	Non comment	Pass
	Pb	BL			
	Hg	BL			
	Cr	X			
	Br	NA			
311	Cd	BL	Not Tested	Non comment	Pass
	Pb	BL			
	Hg	BL			
	Cr	BL			
	Br	NA			
312	Cd	BL	Not Tested	Non comment	Pass
	Pb	BL			
	Hg	BL			
	Cr	BL			
	Br	NA			
313	Cd	BL	Not Tested	Non comment	Pass
	Pb	BL			
	Hg	BL			
	Cr	BL			
	Br	NA			

This Test Report is issued by the Company subject to its General Conditions of Service printed overleaf or available on request and accessible at www.cpstlab.com. Attention is drawn to the limitations of liability, indemnification and jurisdictional issues defined therein. Unless otherwise stated the results shown in the test report refer only to the sample(s) tested. This test report cannot be reproduced, except in full, without prior written permission of the Company. Any unauthorized alteration, forgery or falsification of the content or appearance of this report is unlawful and offenders may be prosecuted to the fullest extent of the law.

314	Cd	BL	Cr(VI): 180 PBBs: N.D. PBDEs: N.D.	Non comment	Pass
	Pb	BL			
	Hg	BL			
	Cr	X			
	Br	X			
315	Cd	BL	Not Tested	Non comment	Pass
	Pb	BL			
	Hg	BL			
	Cr	BL			
	Br	NA			
316	Cd	BL	Not Tested	Non comment	Pass
	Pb	BL			
	Hg	BL			
	Cr	BL			
	Br	NA			
317	Cd	BL	Not Tested	Non comment	Pass
	Pb	BL			
	Hg	BL			
	Cr	BL			
	Br	BL			
318	Cd	BL	Not Tested	Non comment	Pass
	Pb	BL			
	Hg	BL			
	Cr	BL			
	Br	BL			
319	Cd	BL	Not Tested	Non comment	Pass
	Pb	BL			
	Hg	BL			
	Cr	BL			
	Br	NA			
320	Cd	BL	Not Tested	Non comment	Pass
	Pb	BL			
	Hg	BL			
	Cr	BL			
	Br	BL			
321	Cd	BL	Not Tested	Non comment	Pass
	Pb	BL			
	Hg	BL			
	Cr	BL			
	Br	NA			

This Test Report is issued by the Company subject to its General Conditions of Service printed overleaf or available on request and accessible at www.cpstlab.com. Attention is drawn to the limitations of liability, indemnification and jurisdictional issues defined therein. Unless otherwise stated the results shown in the test report refer only to the sample(s) tested. This test report cannot be reproduced, except in full, without prior written permission of the Company. Any unauthorized alteration, forgery or falsification of the content or appearance of this report is unlawful and offenders may be prosecuted to the fullest extent of the law.

322	Cd	BL	Cr(VI): N.D.	Non comment	Pass
	Pb	BL			
	Hg	BL			
	Cr	X			
	Br	BL			
323	Cd	BL	Not Tested	Non comment	Pass
	Pb	BL			
	Hg	BL			
	Cr	BL			
	Br	NA			
324	Cd	BL	Cr(VI): Negative	Non comment	Pass
	Pb	BL			
	Hg	BL			
	Cr	X			
	Br	NA			
325	Cd	BL	Not Tested	Non comment	Pass
	Pb	BL			
	Hg	BL			
	Cr	BL			
	Br	BL			
326	Cd	BL	Not Tested	Non comment	Pass
	Pb	BL			
	Hg	BL			
	Cr	BL			
	Br	BL			
327	Cd	BL	Not Tested	Non comment	Pass
	Pb	BL			
	Hg	BL			
	Cr	BL			
	Br	BL			
328	Cd	BL	PBBs: N.D. PBDEs: N.D.	Non comment	Pass
	Pb	BL			
	Hg	BL			
	Cr	BL			
	Br	X			
329	Cd	BL	Not Tested	Non comment	Pass
	Pb	BL			
	Hg	BL			
	Cr	BL			
	Br	NA			

This Test Report is issued by the Company subject to its General Conditions of Service printed overleaf or available on request and accessible at www.cpstlab.com. Attention is drawn to the limitations of liability, indemnification and jurisdictional issues defined therein. Unless otherwise stated the results shown in the test report refer only to the sample(s) tested. This test report cannot be reproduced, except in full, without prior written permission of the Company. Any unauthorized alteration, forgery or falsification of the content or appearance of this report is unlawful and offenders may be prosecuted to the fullest extent of the law.



Remark: (1) ① Results are obtained by XRF for primary screening, and further wet chemical testing by ICP-OES / AAS (for Cd, Pb, Hg), UV-VIS (for Cr(VI)) and GC/MS (for PBBs, PBDEs) is recommended to be performed, if an inconclusive result was found (as "X" in below table)(unit: mg/kg).

② OL = Over Limit, BL = Below Limit, X = Inconclusive, NA= Not Applicable.

③The XRF screening test for RoHS elements – The reading may be different to the actual content in the sample be of non-uniformity composition.

Element	Polymer	Metal	Composite Materials
Cd	BL ≤(70-3σ)< X <(130+3σ)≤ OL	BL ≤(70-3σ)< X <(130+3σ)≤ OL	LOD < X <(150+3σ)≤ OL
Pb	BL ≤(700-3σ)< X <(1300+3σ)≤ OL	BL ≤(700-3σ)< X <(1300+3σ)≤ OL	BL ≤(500-3σ)< X <(1500+3σ)≤ OL
Hg	BL ≤(700-3σ)< X <(1300+3σ)≤ OL	BL ≤(700-3σ)< X <(1300+3σ)≤ OL	BL ≤(500-3σ)< X <(1500+3σ)≤ OL
Br	BL ≤ (300-3σ)< X	NA	BL ≤ (250-3σ)< X
Cr	BL ≤ (700-3σ)< X	BL ≤ (700-3σ)< X	BL ≤ (500-3σ)< X

(2) ① mg/kg = ppm = 0.0001%, N.D. = Not Detected (Less than method detection limit).

②Unit and Method Detection Limit (MDL) in wet chemical test.

Test items	Pb	Cd	Hg	Cr ⁶⁺ (Non-metal)	PBBs(single)	PBDEs(single)
Unit	mg/kg	mg/kg	mg/kg	mg/kg	mg/kg	mg/kg
MDL	2	2	2	2	5	5

③ According to IEC 62321:2008, result on Cr⁶⁺ for metal sample is shown as Positive/Negative. Negative = Absence of Cr⁶⁺ coating, Positive = Presence of Cr⁶⁺ coating.

Storage condition and production date of the tested sample are unavailable and thus results of Cr⁶⁺ represent status of the sample at the time of testing.

④ According to IEC 62321-3-1:2013, this column represents the results of wet chem test. And "Not Tested" means no need to perform wet chem test, when the XRF screening results are qualified.

(3)This column represents the exempted decoration of material or other related testing sample's information. And "Non comment" means no note.

As specified by client, only test the designated sample. Results are copied from report No.URC16112201R2E.

(4)*According to the product specification provided from client, the submitted sample No.42, No.265 of specimen are copper alloy containing up to 4% Lead by weight which is exempted by RoHS Directive 2011/65/EU.

the submitted sample No.115 of specimen is electronic ceramic/glass parts, Lead in electronic ceramic/glass parts is exempted according to RoHS Directive 2011/65/EU

All the results refer to URC16112201R1E, except Chemical results (Cd** of Sample No.162, Cd **of Sample No.167, Cr(VI) *** of Sample No.262)

This Test Report is issued by the Company subject to its General Conditions of Service printed overleaf or available on request and accessible at www.cpstlab.com. Attention is drawn to the limitations of liability, indemnification and jurisdictional issues defined therein. Unless otherwise stated the results shown in the test report refer only to the sample(s) tested. This test report cannot be reproduced, except in full, without prior written permission of the Company. Any unauthorized alteration, forgery or falsification of the content or appearance of this report is unlawful and offenders may be prosecuted to the fullest extent of the law.

Photo of the Submitted Sample



*** End of Report ***

This Test Report is issued by the Company subject to its General Conditions of Service printed overleaf or available on request and accessible at www.cpstlab.com. Attention is drawn to the limitations of liability, indemnification and jurisdictional issues defined therein. Unless otherwise stated the results shown in the test report refer only to the sample(s) tested. This test report cannot be reproduced, except in full, without prior written permission of the Company. Any unauthorized alteration, forgery or falsification of the content or appearance of this report is unlawful and offenders may be prosecuted to the fullest extent of the law.